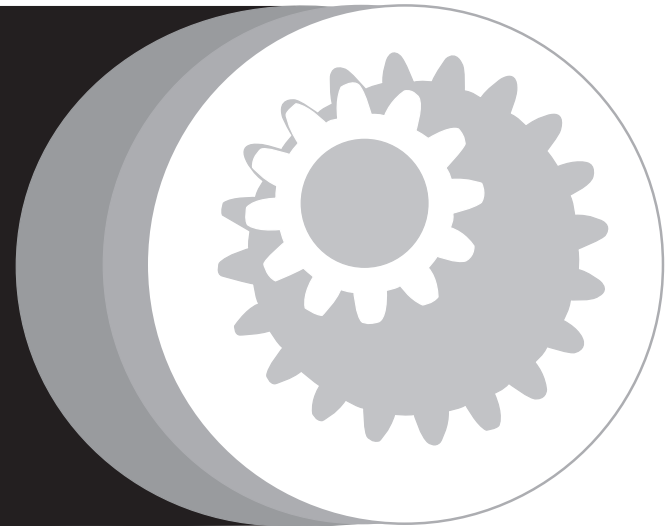


10XE AND 15XE Electric High-Pressure Washer



JOHN DEERE

PARTS CATALOG



Motor Specs:

10XE

1.5 HP / 1 Phase / 120 Volts

15XE

2.0 HP / 1 Phase / 120 Volts

Pump Oil Grade:

John Deere Hy-Guard

Pump Oil Capacity:

6.5 oz.

Nozzle Size:

10XE

1.40 mm

15XE

1.25 mm

1-877-JD-KLEEN (1-877-535-5336)

This Parts Listing has been compiled for your benefit. You can be assured your John Deere Cold Water Pressure Washer was constructed and designed with quality and performance in mind using over 25 years experience in the pressure washer business. Each component has been rigorously tested to insure the highest level of acceptance.

The contents of this Parts Listing are based on the latest product information available at the time of publication. John Deere reserves the right to make changes in price, color, materials, equipment, specifications or models at any time without notice.

WARNING

THIS IS A PROFESSIONAL HIGH PRESSURE, COLD WATER PRESSURE WASHER. CAUTION SHOULD BE OBSERVED WHEN USING OR REPAIRING THIS UNIT! READ AND FOLLOW THE SAFETY WARNINGS LISTED BELOW BEFORE ATTEMPTING ANY REPAIRS ON THIS PRESSURE WASHER!

SAFETY WARNINGS

1. NEVER alter or modify the equipment. Be sure any accessory items and system components being used will withstand the pressure developed. Use only genuine John Deere parts for repair of your pressure washer. Failure to do so can cause hazardous operating conditions and will VOID warranty.
2. NEVER make adjustments on machinery while the unit is connected to the power source. Turning over the machinery by hand during adjustment or cleaning might start the machinery, causing serious injury to the operator.
3. Know how to stop and bleed pressures quickly. Be thoroughly familiar with controls.
4. Before servicing the unit, turn unit off, relieve the water pressure and allow the unit to cool down. Do not make repairs while the unit is running. Service in a clean, dry, flat area.
5. After testing the machine, DO NOT leave the pressurized unit unattended. Shut off the unit and release trapped pressure before leaving.

Table of Contents

SPECIFICATIONS.....	4
NOTES.....	5
10XE (USA) (BEFORE SERIAL #10146810).....	6
10XE (USA) (AFTER SERIAL #10146810) & 15XE (USA) (AFTER SERIAL #10240197).....	8
10XE (CANADA) (BEFORE SERIAL #10146810).....	10
10XE (CANADA) (AFTER SERIAL #10146810) & 15XE (CANADA) (AFTER SERIAL #10240197).....	12
10XE-C (USA) (BEFORE SERIAL #10040630).....	14
10XE-C (USA) (AFTER SERIAL #10040630).....	16
15XE-C (USA) (BEFORE SERIAL #10040579).....	18
10XE-C (USA) (AFTER SERIAL #10146810) & 15XE-C (USA) (AFTER SERIAL #10040579).....	20
10XE-C (CANADA) (BEFORE SERIAL #10041371).....	22
10XE-C (CANADA) (AFTER SERIAL #10041371).....	24
15XE-C (CANADA) (BEFORE SERIAL #10041371).....	26
10XE-C (CANADA) (AFTER SERIAL #10146810) & 15XE-C (CANADA) (AFTER SERIAL #10041371).....	28
MOTOR ASSEMBLY (851-0247 & 851-0248).....	30
PUMP ASSEMBLY (3-0071).....	32
UNLOADER (8-0493) & DETERGENT INJECTOR (46-0752) ASSEMBLY.....	34
GUN ASSEMBLY (16-0167).....	36
GUN/LANCE ASSEMBLY (16-0404).....	38
LANCE ASSEMBLY (16-0171).....	40
LANCE ASSEMBLY (16-0412 AND 16-0413).....	42
OPTIONAL CART ASSEMBLY (AW-7005-02WK).....	44
WIRING SCHEMATIC.....	46
WIRING DIAGRAM.....	47

SPECIFICATIONS

MODEL NUMBER	10XE	10XE-C	15XE	15XE-C
Operating Pressure (PSI/Bar):	1000/69 (- 5%)		1500/103 (- 5%)	
Water Volume (GPM/lpm):	2.0/7.6 (+/- 5%)			
Motor:	Totally enclosed fan cooled			
Horsepower	1.5		2.0	
Voltage	120			
Amps	12.5		17.0	
Phase	Single			
RPM	3450			
High Pressure Pump:	Direct Driven, Oil Bath, Triplex Piston			
Oil Type	John Deere Hy-Guard			
Oil Capacity (oz./liters)	6.5/19			
Plungers	Ceramic			
Manifold	Forged Brass			
Valves	Stainless Steel			
Unloader	Preset			
Heat Dump Valve	Relieves heated water during unloader bypass stage			
High Pressure Hose:	3/8 inch I.D. x 25 ft. steel wire braided, oil and detergent resistant, quick connects			
Gun:	Trigger with safety lock-off			
Wand:	36" total insulated length			
Nozzle:	Variable high/low adjustable (0-60°)			
Unit Net Weight (Lbs/Kg)	53/24	100/50	53/24	100/50
Unit Shipping Weight (Lbs/Kg)	65/29.5	115/52	65/29.5	115/52
Unit Net Dimension (In/Cm)	22Lx11Wx14.5H / 56Lx28Wx37H	32Lx18Wx22.5H / 81Lx45.75Wx57H	22Lx11Wx14.5H / 56Lx28Wx37H	32Lx18Wx22.5H / 81Lx45.75Wx57H
Unit Shipping Dimension (In/Cm)	24.5Lx13Wx16H / 62Lx33Wx40.5H	33Lx21Wx24H / 84Lx53Wx61H	24.5Lx13Wx16H / 62Lx33Wx40.5H	33Lx21Wx24H / 84Lx53Wx61H
Warranty	One (1) year limited parts			
Pump	Five (5) years limited			

NOTES

SERIAL BREAK NUMBER:

#10040579

#10040630

#10041371

#10146810

#10240197

SERIAL BREAK EXPLANATION:

CD-1502-1JUC ONLY: FRAME CHANGED FROM 5-0118A33 TO 5-0148A01.

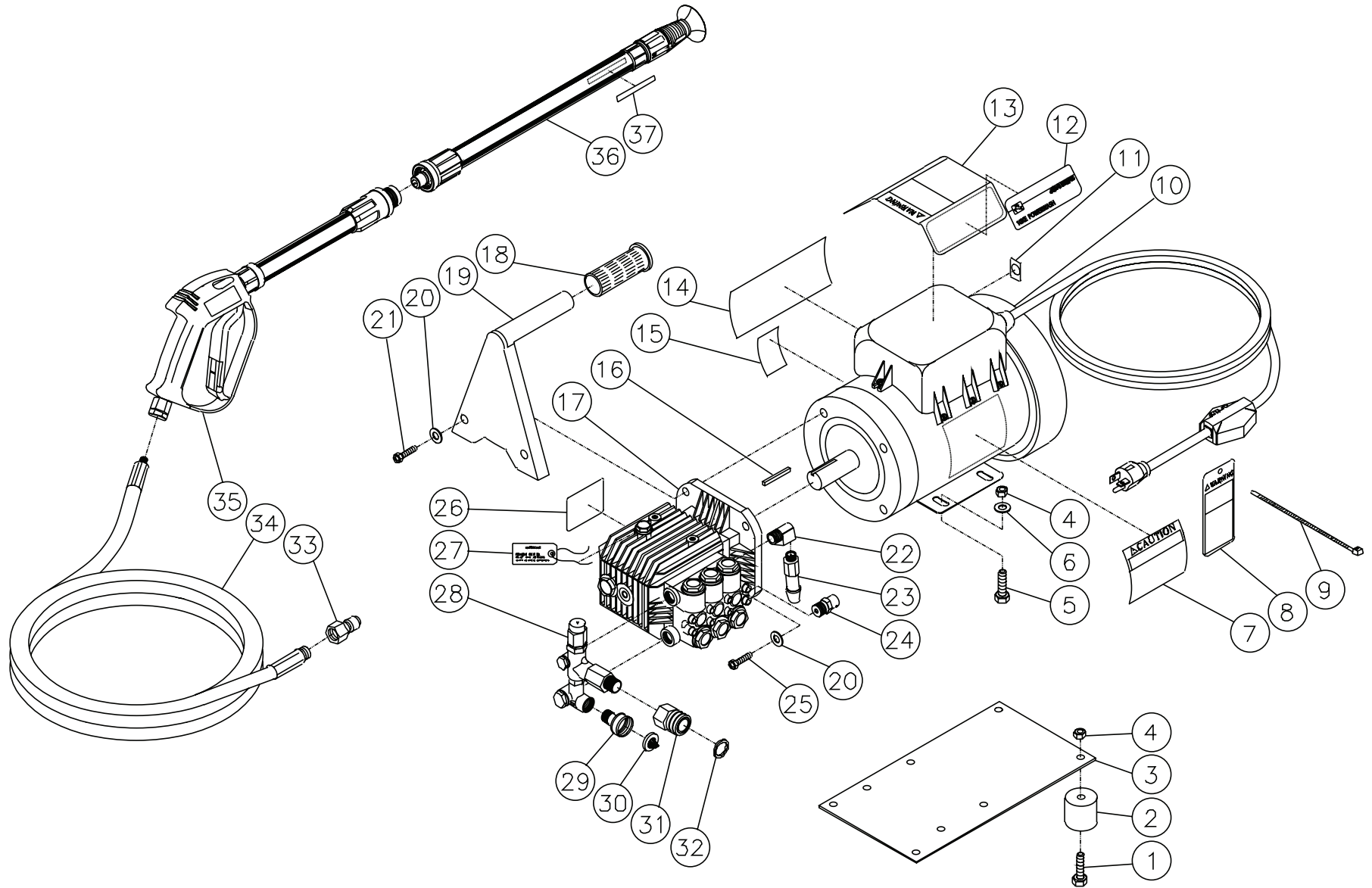
CD-1002-1JUC ONLY: FRAME CHANGED FROM 5-0118A33 TO 5-0148A01.

CD-1002/1502-1JCC ONLY: FRAME CHANGED FROM 5-0118A33 TO 5-0148A01.

CD-1002 UNITS ONLY: LANCE CHANGED FROM 16-0167 TO 16-0404
NOZZLE CHANGE FROM 16-0173 TO 16-0413.

CHANGED LANCE 16-0171 TO 16-0412. GUN CHANGED FROM 16-0173 TO 16-0404.

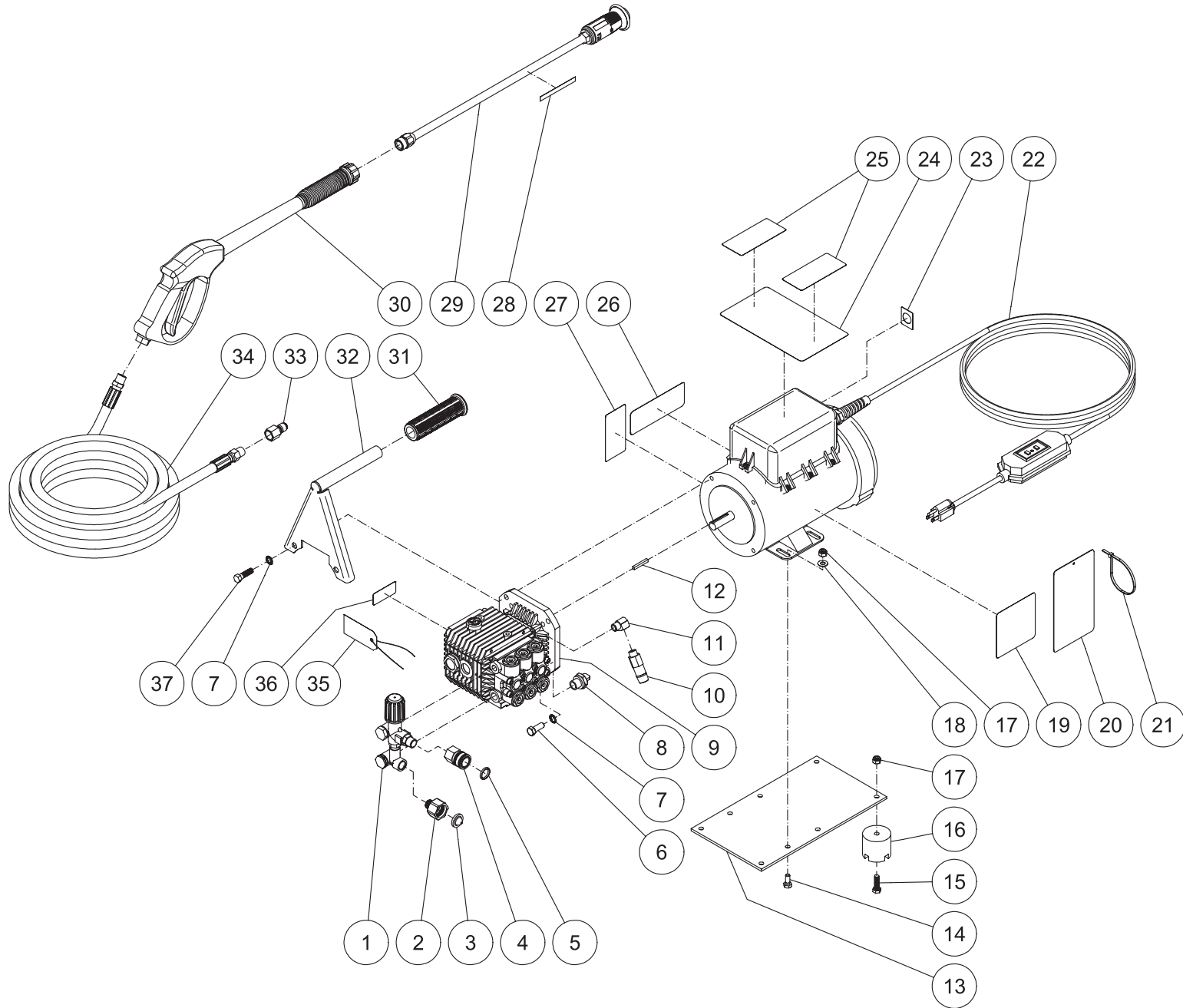
10XE (USA) (BEFORE SERIAL #10146810)



CD-1002-OJUH-010901-RD

10XE (USA) (BEFORE SERIAL #10146810)								
REF. #	DESCRIPTION	PART #	QTY.		REF. #	DESCRIPTION	PART #	QTY.
1	Bolt	27-0068	4		20	Washer	29-0155	4
2	Isolator	14-0008	4		21	Bolt	27-0118	2
3	Base Plate	5-0110A01	1		22	Elbow	23-0014	1
4	Locknut	30-0157	8		23	Relief Valve	22-0046	1
5	Bolt	27-0066	4		24	Heat Dump Valve	22-0114	1
6	Washer	28-0003	4		25	Bolt	27-0117	4
7	Decal- Caution/Important (See 34-9015)	N/A Sep.	1		26	Decal- Important: Pump Instructions (See 34-9015)	N/A Sep.	1
8	Hang Tag- Warning: Risk of Electrocution	34-1035	1		27	Tag- Remove Red Plug	34-0102	1
9	Cable Tie	33-0022	1		28	Unloader	8-0470	1
10	Motor Assembly- 1.5 H.P. (U/L)	851-0247	1		29	Garden Hose Fitting	23-0096	1
11	Decal- On/Off	34-0612	1		30	Inlet Filter	19-0001	1
12	Decal- 10XE	34-0608	2		31	Quick Connect Socket	17-0004	1
13	Decal- Warning: Risk of Electrocution (See 34-9015)	N/A Sep.	1		32	O-ring (Replacement)	25-0123	-
14	Decal- Warning: Risk of Injection/Explosion (See 34-9015)	N/A Sep.	1		33	Quick Connect Plug	17-0006	1
15	Decal- Date Plate	N/A	1		34	High Pressure Hose	15-0138	1
16	Key	43-0072	1		35	Gun w/Screw Lance	16-0167	1
17	Pump	3-0071	1		36	Variable Nozzle Assembly- 1.40mm	16-0173	1
18	Grip	7-0059	1		37	Decal- Adjustable Nozzle (See 34-9015)	N/A Sep.	1
19	Handle	7-0078A01	1			Safetey Decal Kit (Inc. 7, 13-14, 26, 37)	34-9015	

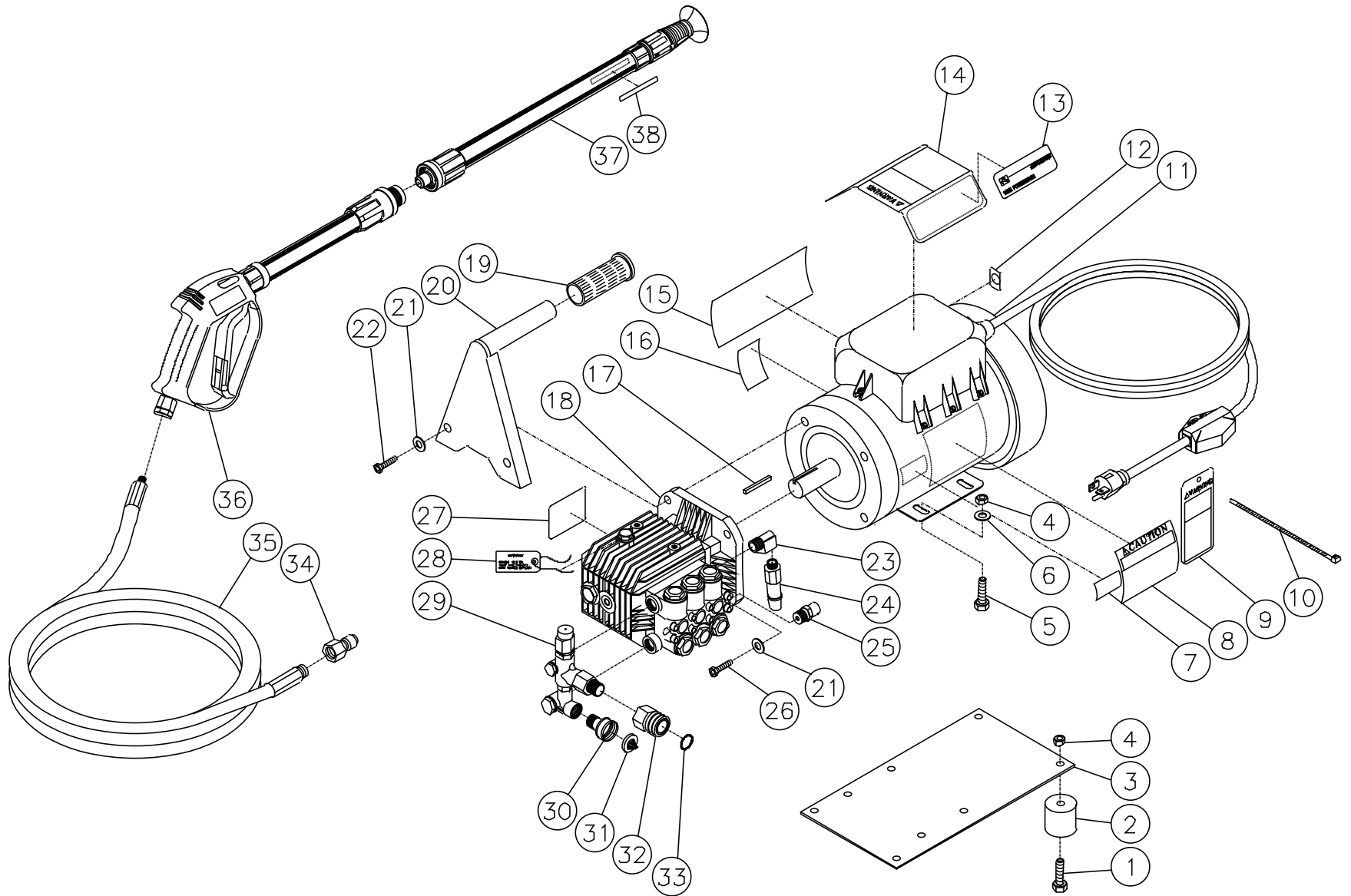
10XE (USA) (AFTER SERIAL #10146810) & 15XE (USA) (AFTER SERIAL #10240197)



CD-1002/1502-0JUH-033108-JJT

AC-1000E (USA) (AFTER SERIAL #10146810) & AC-1500E(USA) (AFTER SERIAL #10240197)							
REF. #	DESCRIPTION	PART #	QTY.	REF. #	DESCRIPTION	PART #	QTY.
1	Unloader	8-0470	1	22	Motor Assembly- 1.5 HP (AC-1000E)	851-0247	1
2	Garden Hose Fitting	23-0096	1	-	Motor Assembly- 2.0 HP (AC-1500E)	851-0248	1
3	Inlet Filter	19-0001	1	23	Decal- On/Off (See 34-9015)	N/A Sep.	1
4	Quick Connect Socket	17-0004	1	24	Decal- Warning: Risk of Electrocution (See 34-9015)	N/A Sep.	1
5	O-ring (Replacement Only)	25-0123	-	25	Decal- AC-1000E Logo	34-0608	2
6	Bolt	27-0117	4	-	Decal- AC-1500E Logo	34-0609	2
7	Lockwasher	29-0155	4	26	Decal- Warning: Risk of Injection/Explosion (See 34-9015)	N/A Sep.	1
8	Thermal Relief Valve	22-0114	1	27	Decal- Date Plate	N/A	1
9	Pump	3-0071	1	28	Decal- Adjustable Nozzle (See 34-9015)	N/A Sep.	1
10	Pop-Off Valve	22-0046	1	29	Lance w/Variable Nozzle 1.40mm (AC-1000E)	16-0413	1
11	Elbow	23-0014	1	-	Lance w/Variable Nozzle 1.25mm (AC-1500E)	16-0412	1
12	Key	43-0072	1	30	Gun w/Lance	16-0445	1
13	Baseplate	5-0110A51	1	31	Handle Grip	7-0059	1
14	Bolt	27-0066	4	32	Handle Assembly	7-0078A51	1
15	Bolt	27-0068	4	33	Quick Connect Plug	17-0006	1
16	Isolator	14-0008	4	34	High Pressure Hose	15-0138	1
17	Locknut	30-0157	4	35	Tag- Remove Red Plug	34-0102	1
18	Washer	28-0003	4	36	Decal- Important Pump Instructions (See 34-9015)	N/A Sep.	1
19	Decal- Caution/Important (See 34-9015)	N/A Sep.	1	37	Bolt	27-0118	2
20	Hang Tag- Warning: Risk of Electrocution (E/F/S)	34-1035	1		Safety Decal Kit (Inc. 19, 23-24, 26, 28, 36)	34-9015	
21	Cable Tie	33-0022	1	*Must Order in One Foot Lengths			

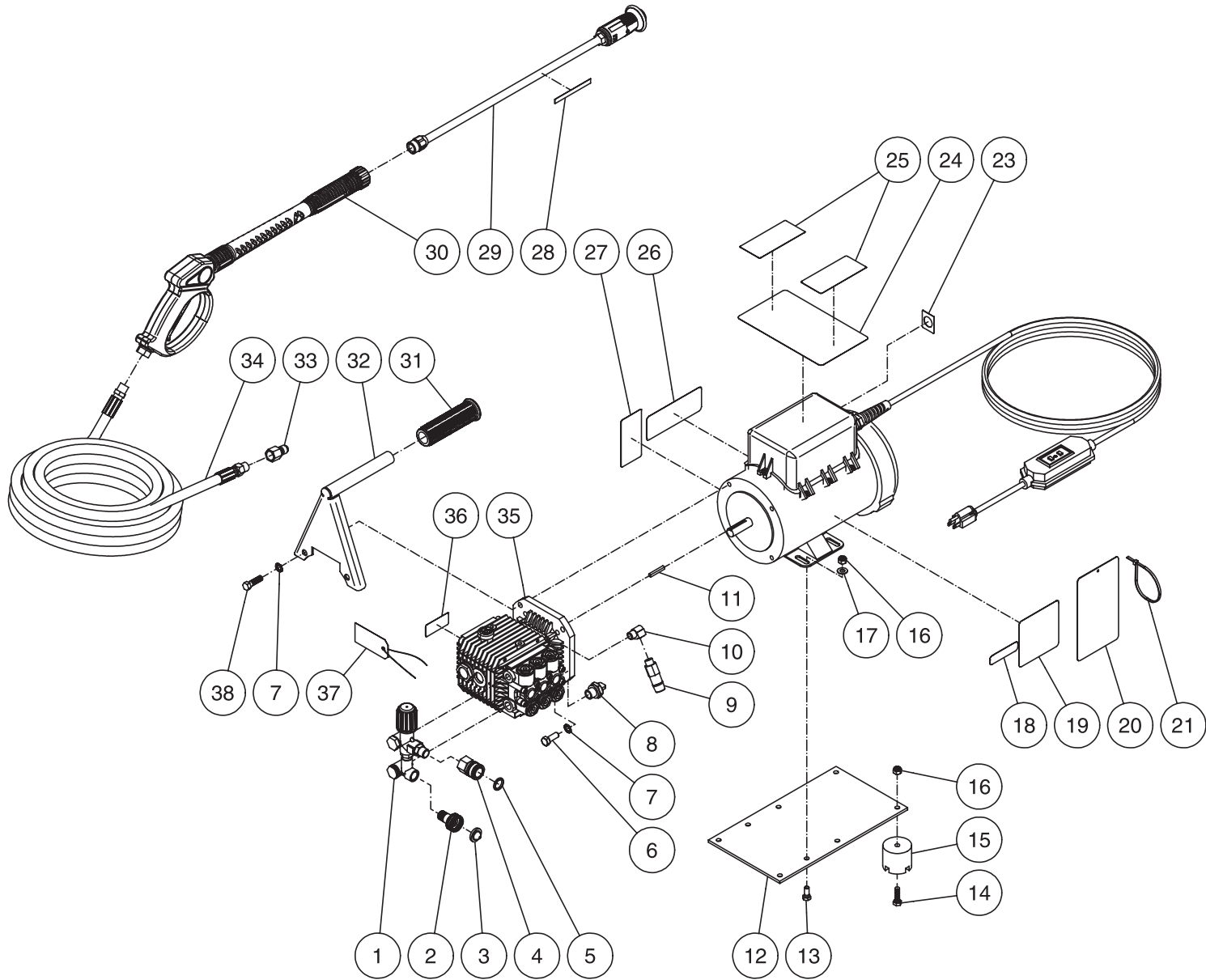
10XE (CANADA) (BEFORE SERIAL #10146810)



CD-1002-0JCH-072001-RD

10XE (CANADA) (BEFORE SERIAL #10146810)							
REF. #	DESCRIPTION	PART #	QTY.	REF. #	DESCRIPTION	PART #	QTY.
1	Bolt	27-0068	4	21	Washer	29-0155	4
2	Isolator	14-0008	4	22	Bolt	27-0118	2
3	Base Plate	5-0110A01	1	23	Elbow	23-0014	1
4	Locknut	30-0157	8	24	Relief Valve	22-0046	1
5	Bolt	27-0066	4	25	Heat Dump Valve	22-0114	1
6	Washer	28-0003	4	26	Bolt	27-0117	4
7	Decal- Warning: Backflow (See 34-9015)	N/A Sep.	1	27	Decal- Important: Pump Instructions (See 34-9015)	N/A Sep.	1
8	Decal- Caution/Important (See 34-9015)	N/A Sep.	1	28	Tag- Remove Red Plug	34-0102	1
9	Hang Tag- Warning: Risk of Electrocutation	34-0628	1	29	Unloader	8-0470	1
10	Cable Tie	33-0022	1	30	Garden Hose Fitting	23-0096	1
11	Motor Assembly- 1.5 H.P. (C-U/L)	851-0250	1	31	Inlet Filter	19-0001	1
12	Decal- On/Off	34-0612	1	32	Quick Connect Socket	17-0004	1
13	Decal- Warning: Risk of Electrocutation (See 34-9015)	N/A Sep.	1	33	O-ring (Replacement)	25-0123	-
14	Decal- 10XE	34-0608	2	34	Quick Connect Plug	17-0006	1
15	Decal- Warning: Risk of Injection/Explosion (See 34-9015)	N/A Sep.	1	35	High Pressure Hose	15-0138	1
16	Decal- Data Plate	N/A	1	36	Gun w/Screw Lance	16-0167	1
17	Key	43-0072	1	37	Variable Nozzle Assembly- 1.40mm	16-0173	1
18	Pump	3-0071	1	38	Decal- Adjustable Nozzle (See 34-9015)	N/A Sep.	1
19	Grip	7-0059	1		Safety Decal Kit (Inc. 7-8, 12-13, 15, 27, 38)	34-9015	
20	Handle	7-0078A01	1				

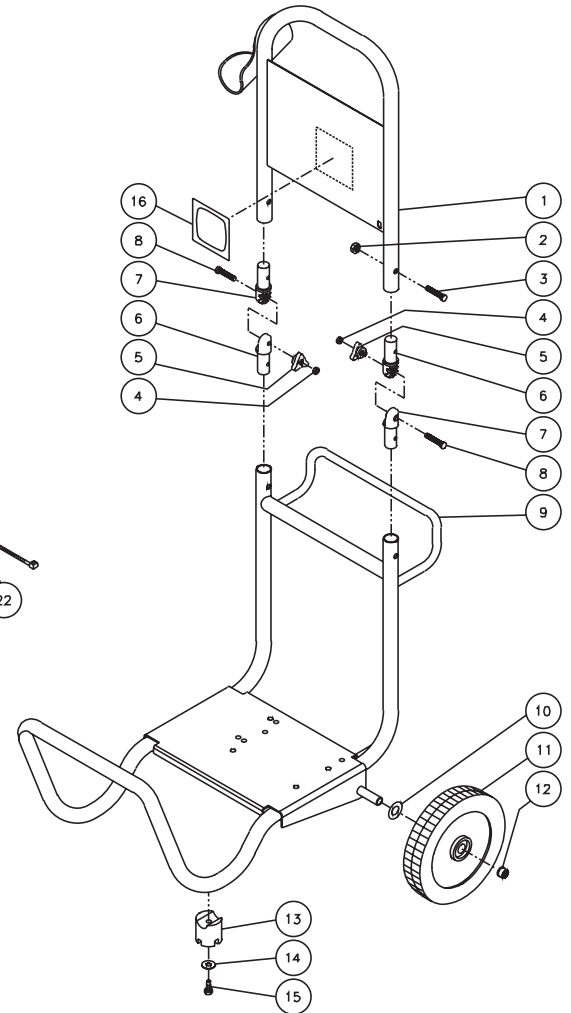
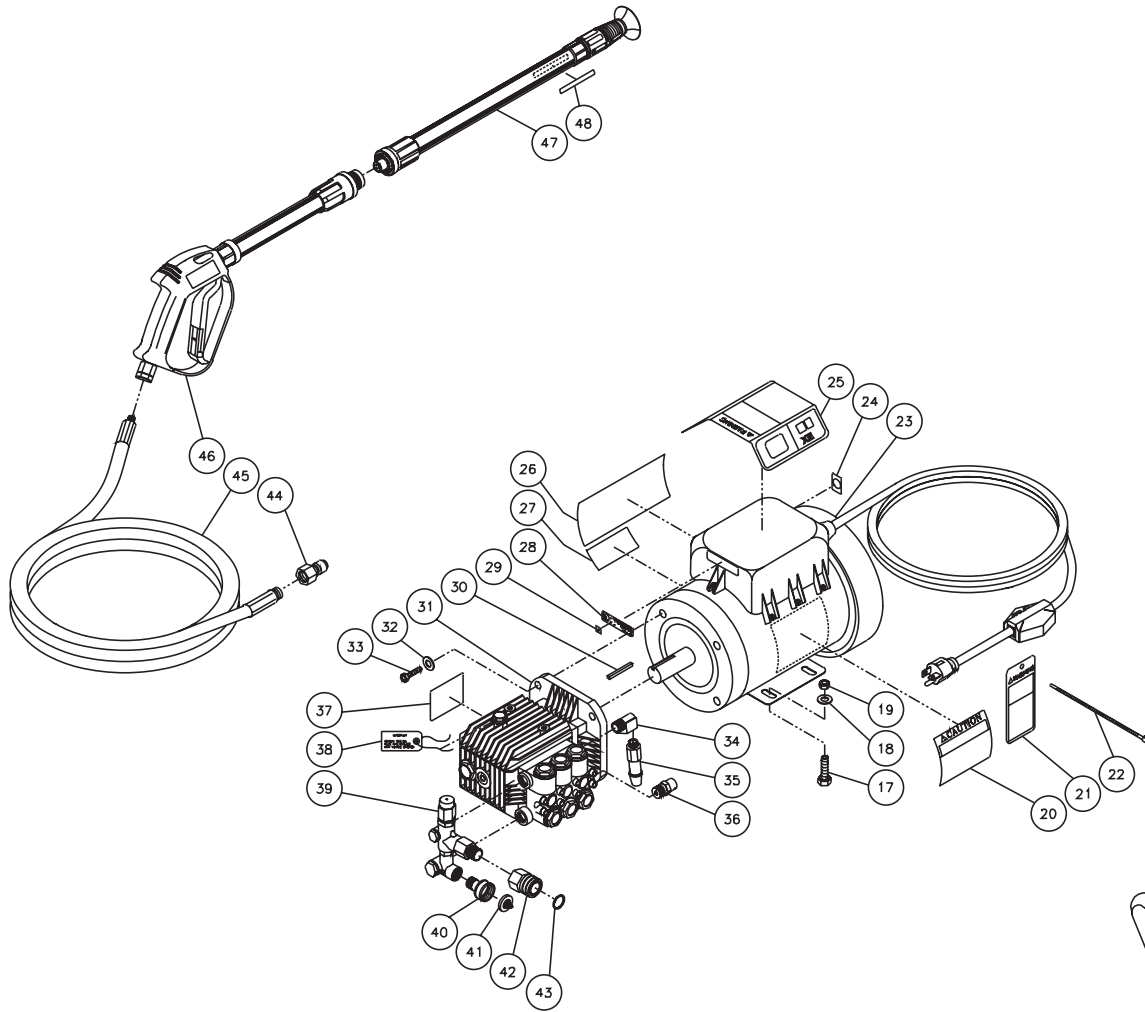
10XE (CANADA) (AFTER SERIAL #10146810) & 15XE (CANADA) (AFTER SERIAL #10240197)



CD-1002_1502-0JCH-031605-JJF

AC-1000E (CANADA) (AFTER SERIAL #10146810) & AC-1500E (CANADA) (AFTER SERIAL #10240197)							
REF. #	DESCRIPTION	PART #	QTY.	REF. #	DESCRIPTION	PART #	QTY.
1	Unloader	8-0470	1	22	Motor Assembly- 1.5 HP (AC-1000E)	851-0247	1
2	Garden Hose Fitting	23-0096	1	-	Motor Assembly- 2.0 HP (AC-1500E)	851-0248	1
3	Inlet Filter	19-0001	1	23	Decal- On/Off (See 34-9015)	N/A Sep.	1
4	Quick Connect Socket	17-0004	1	24	Decal- Warning: Risk of Electrocution (See 34-9015)	N/A Sep.	1
5	O-ring (Replacement Only)	25-0123	-	25	Decal- AC-1000E Logo	34-0608	2
6	Bolt	27-0117	4	-	Decal- AC-1500E Logo	34-0609	2
7	Lockwasher	29-0155	4	26	Decal- Warning: Risk of Injection/Explosion (See 34-9015)	N/A Sep.	1
8	Thermal Relief Valve	22-0114	1	27	Decal- Date Plate	N/A	1
9	Pop-Off Valve	22-0046	1	28	Decal- Adjustable Nozzle (See 34-9015)	N/A Sep.	1
10	Elbow	23-0014	1	29	Lance w/Variable Nozzle 1.40mm (AC-1000E)	16-0413	1
11	Key	43-0072	1	-	Lance w/Variable Nozzle 1.25mm (AC-1500E)	16-0412	1
12	Baseplate	5-0110A01	1	30	Gun w/Lance	16-0404	1
13	Bolt	27-0066	4	31	Handle Grip	7-0059	1
14	Bolt	27-0068	4	32	Handle Assembly	7-0078A01	1
15	Isolator	14-0008	4	33	Quick Connect Plug	17-0006	1
16	Locknut	30-0157	4	34	High Pressure Hose	15-0138	1
17	Washer	28-0003	4	35	Pump	3-0071	1
18	Decal- Warning: Backflow (See 34-9015)	N/A Sep.	1	36	Decal- Important Pump Instructions (See 34-9015)	N/A Sep.	1
19	Decal- Caution/Important (See 34-9015)	N/A Sep.	1	37	Tag- Remove Red Plug	34-0102	1
20	Hang Tag- Warning: Risk of Electrocution (E/F/S)	34-1035	1	38	Bolt	27-0118	2
21	Cable Tie	33-0022	1		Safety Decal Kit (Inc. 18-19, 23, 24, 26, 28, 36)	34-9015	
*Must Order in One Foot Lengths							

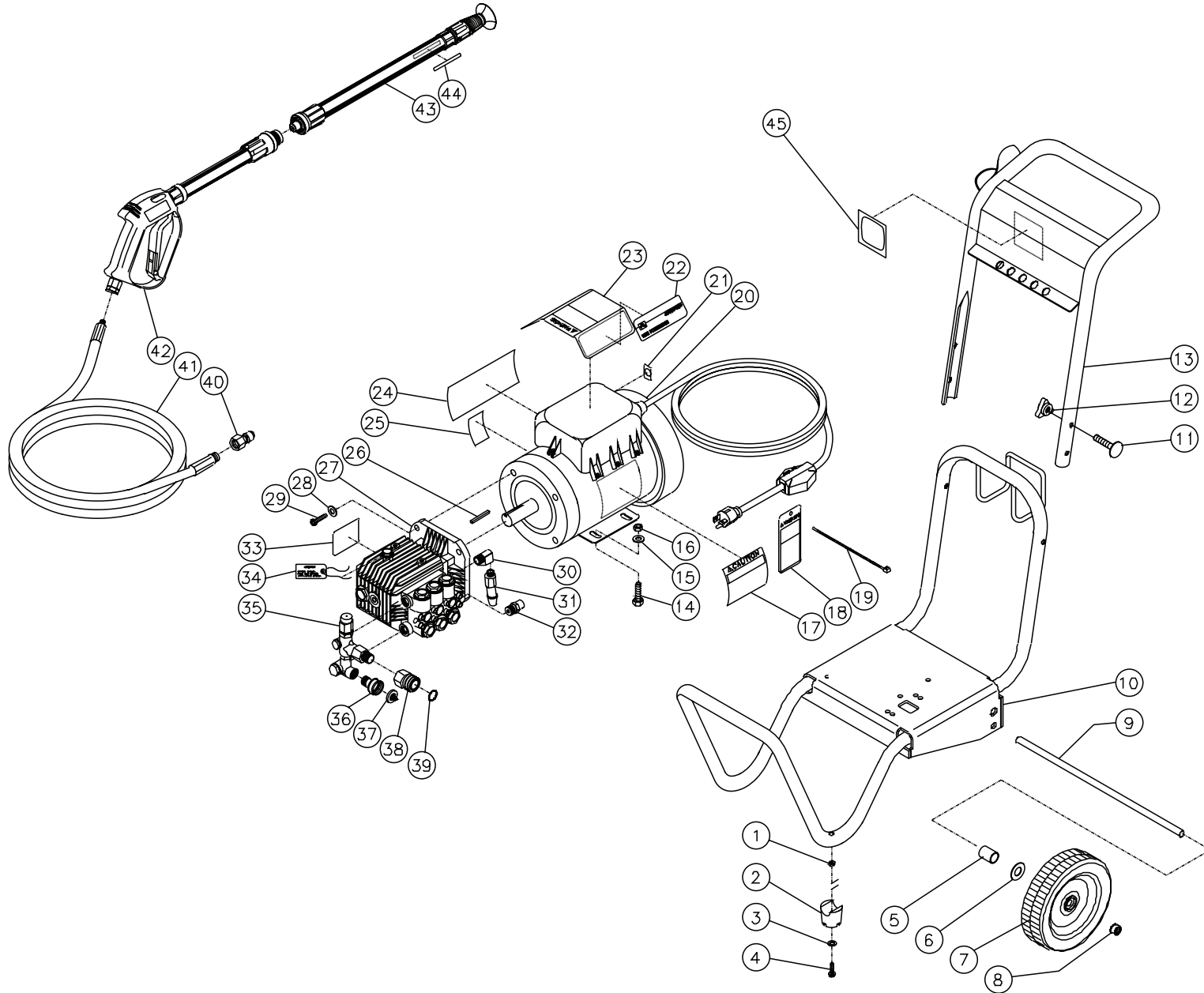
10XE-C (USA) (BEFORE SERIAL #10040630)



CD-1002-1JUC-012501-RD

10XE-C (USA) (BEFORE SERIAL #10040630)							
REF. #	DESCRIPTION	PART #	QTY.	REF. #	DESCRIPTION	PART #	QTY.
1	Handle	7-0132A33	1	25	Decal- Warning: Risk of Electrocutation	34-0608	1
2	Nylock Nut	30-0154	4	26	Decal- Warning: Risk of Injection/Explosion	34-0614	1
3	Bolt	27-0008	4	27	Decal- Serial Number	N/A	1
4	Nylock Nut	30-0155	2	28	Decal- U/L Specs	N/A	1
5	Knob	7-0115	2	29	Decal- Date Code	N/A	1
6	Adjustable Knuckle w/o Hex	33-0242	2	30	Key	43-0072	1
7	Adjustable Knuckle w/ Hex	33-0241	2	31	Pump	3-0071	1
8	Bolt	27-0020	2	32	Washer	29-0155	4
9	Frame	5-0118A33	1	33	Bolt	27-0117	4
10	Washer	28-0006	2	34	Elbow	23-0014	1
11	Wheel	14-0056	2	35	Relief Valve	22-0046	1
12	Hub Cap	33-0055	2	36	Heat Dump Valve	22-0114	1
13	Isolator	14-0063	2	37	Decal- Important Pump Instructions	34-0437	1
14	Washer	28-0021	2	38	Tag- Remove Red Plug	34-0102	1
15	Screw	27-3096	2	39	Unloader	8-0470	1
16	Decal- John Deere Logo	34-0131	1	40	Garden Hose Fitting	23-0096	1
17	Bolt	27-0066	4	41	Inlet Filter	19-0001	1
18	Washer	28-0003	4	42	Quick Connect Socket	17-0004	1
19	Locknut	30-0157	8	43	O-ring (Replacement)	25-0123	-
20	Decal- Caution/Important	34-0617	1	44	Quick Connect Plug	17-0006	1
21	Hang Tag- Warning: Risk of Electrocutation	34-0605	1	45	High Pressure Hose	15-0138	1
22	Cable Tie	33-0022	1	46	Gun w/ Screw Lance	16-0167	1
23	Motor Assembly-1.5 H.P. (U/L)	851-0247	1	47	Variable Nozzle Assembly- 1.40mm	16-0173	1
24	Decal- On/Off	34-0612	1	48	Decal- Adjustable Nozzle	34-0457	1

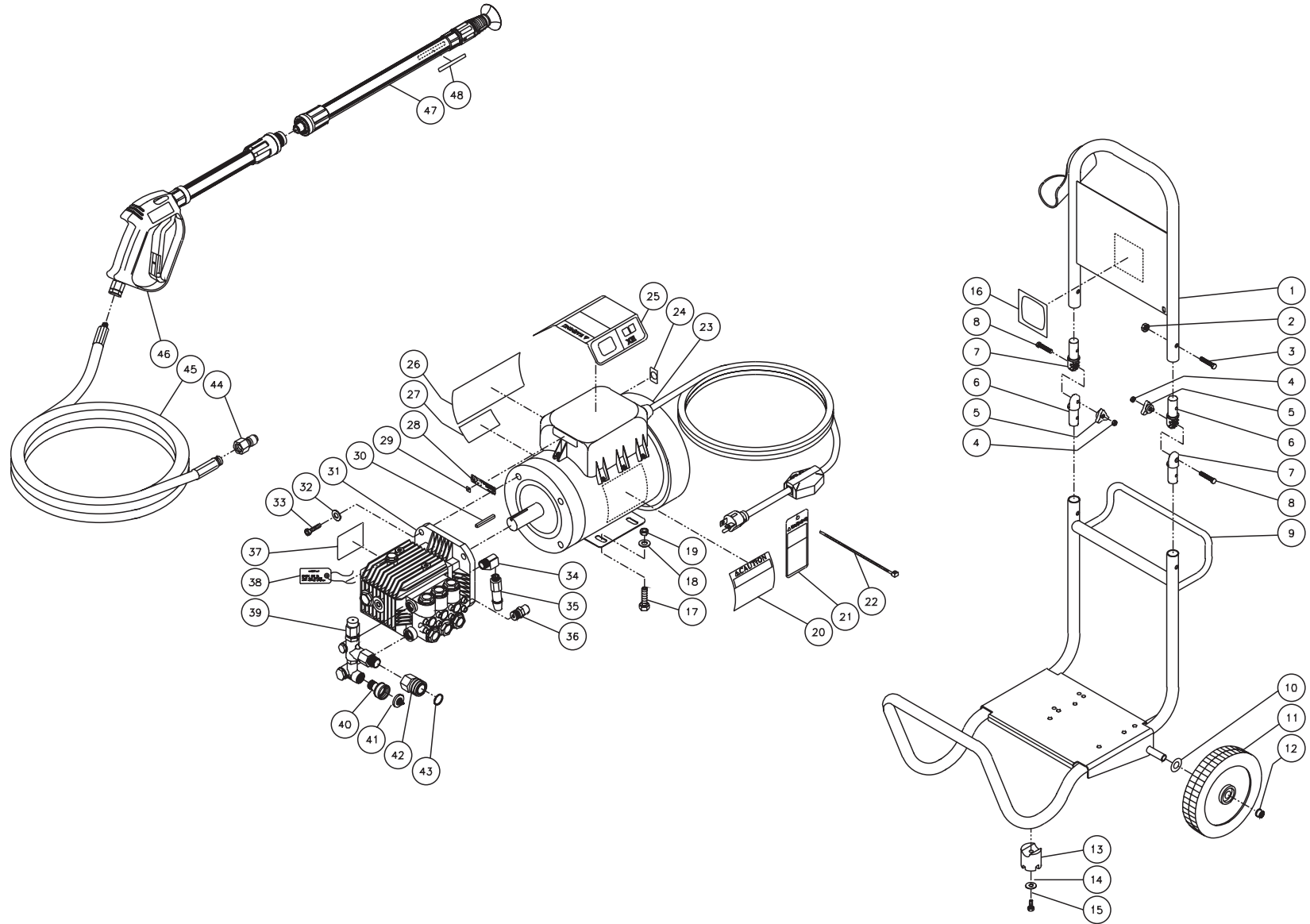
10XE-C (USA) (AFTER SERIAL #10040630)



CD-1002-1JUC-112202-RD

10XE-C (USA) (AFTER SERIAL #10040630)							
REF. #	DESCRIPTION	PART #	QTY.	REF. #	DESCRIPTION	PART #	QTY.
1	Locknut	30-0155	2	24	Decal- Warning: Risk of Injection/Explosion (See 34-9015)	N/A Sep.	1
2	Isolator	14-0066	2	25	Decal- Date Plate	N/A	1
3	Washer	28-0021	2	26	Key	43-0072	1
4	Bolt	27-0019	2	27	Pump	3-0071	1
5	Axle Spacer	20-0406A01	2	28	Washer	29-0155	4
6	Washer	28-0006	5	29	Bolt	27-0117	4
7	Wheel	14-0052	2	30	Elbow	23-0014	1
8	Hub Cap	33-0055	2	31	Pop-off Valve	2-0046	1
9	Axle	20-0517	1	32	Thermal Relief Valve	22-0014	1
10	Frame	5-0148A01	1	33	Decal- Important Instructions (See 34-9015)	N/A Sep.	1
11	Bolt	31-0051	2	34	Tag- Remove Red Plug	34-0102	1
12	Knob	7-0107	2	35	Unloader	8-0470	1
13	Handle Assembly	7-0158A01	1	36	Garden Hose Swivel	23-0096	1
14	Bolt	27-0066	4	37	Inlet Filter	19-0001	1
15	Washer	28-0003	4	38	Quick Connect Socket	17-0004	1
16	Locknut	30-0157	8	39	O-ring (Replacement Only)	25-0123	1
17	Decal- Caution/Important (See 34-9015)	N/A Sep.	1	40	Quick Connect Plug	17-0006	1
18	Hang Tag- Warning: Risk of Electrocution (E/F/S)	34-1035	1	41	High Pressure Hose	15-0138	1
19	Cable Tie	33-0022	1	42	Gun w/Lance	16-0167	1
20	Motor Assembly- 1.5 H.P.	851-0247	1	43	Variable Nozzle Assembly	16-0173	1
21	Decal- On/Off (See 34-9015)	N/A Sep.	1	44	Decal- Adjustable Nozzle (See 34-9015)	N/A Sep.	1
22	Decal- 10XE	34-0612	1	45	Decal- John Deere Logo	34-1025	1
23	Decal- Warning: Risk of Electrocution (See 34-9015)	N/A Sep.	1		Safety Decal Kit (Inc. 17-18, 22, 24-25, 34, 45)	34-9015	

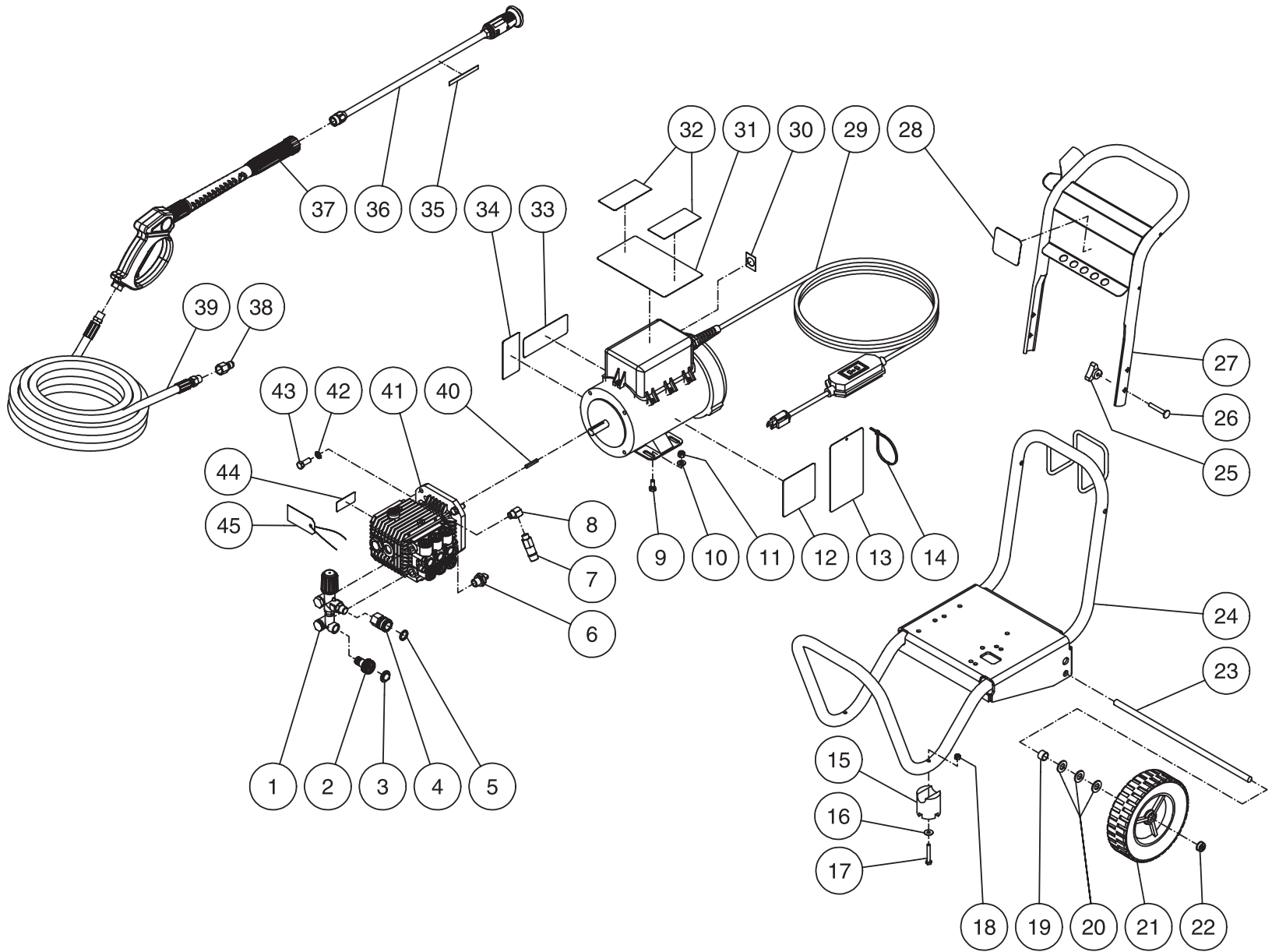
15XE-C (USA) (BEFORE SERIAL #10040579)



CD-1502-1JUC-012501-RD

15XE-C (USA) (BEFORE SERIAL #10040579)							
REF. #	DESCRIPTION	PART #	QTY.	REF. #	DESCRIPTION	PART #	QTY.
1	Handle	7-0132A33	1	25	Decal- Warning: Risk of Electrocutation	34-0609	1
2	Nylock Nut	30-0154	4	26	Decal- Warning: Risk of Injection/Explosion	34-0614	1
3	Bolt	27-0008	4	27	Decal- Serial Number	N/A	1
4	Nylock Nut	30-0155	2	28	Decal- U/L Specs	N/A	1
5	Knob	7-0115	2	29	Decal- Date Code	N/A	1
6	Adjustable Knuckle w/o Hex	33-0242	2	30	Key	43-0072	1
7	Adjustable Knuckle w/ Hex	33-0241	2	31	Pump	3-0071	1
8	Bolt	27-0020	2	32	Washer	29-0155	4
9	Frame	5-0118A33	1	33	Bolt	27-0117	4
10	Washer	28-0006	2	34	Elbow	23-0014	1
11	Wheel	14-0056	2	35	Relief Valve	22-0046	1
12	Hub Cap	33-0055	2	36	Heat Dump Valve	22-0114	1
13	Isolator	14-0063	2	37	Decal- Important Pump Instructions	34-0437	1
14	Washer	28-0021	2	38	Tag- Remove Red Plug	34-0102	1
15	Screw	27-3096	2	39	Unloader	8-0470	1
16	Decal- John Deere Logo	34-0131	1	40	Garden Hose Fitting	23-0096	1
17	Bolt	27-0066	4	41	Inlet Filter	19-0001	1
18	Washer	28-0003	4	42	Quick Connect Socket	17-0004	1
19	Locknut	30-0157	8	43	O-ring (Replacement)	25-0123	-
20	Decal- Caution/Important	34-0617	1	44	Quick Connect Plug	17-0006	1
21	Hang Tag- Warning: Risk of Electrocutation	34-0605	1	45	High Pressure Hose	15-0138	1
22	Cable Tie	33-0022	1	46	Gun w/ Screw Lance	16-0167	1
23	Motor Assembly-2.0 H.P. (U/L)	851-0248	1	47	Variable Nozzle Assembly- 1.25mm	16-0171	1
24	Decal- On/Off	34-0612	1	48	Decal- Adjustable Nozzle	34-0457	1

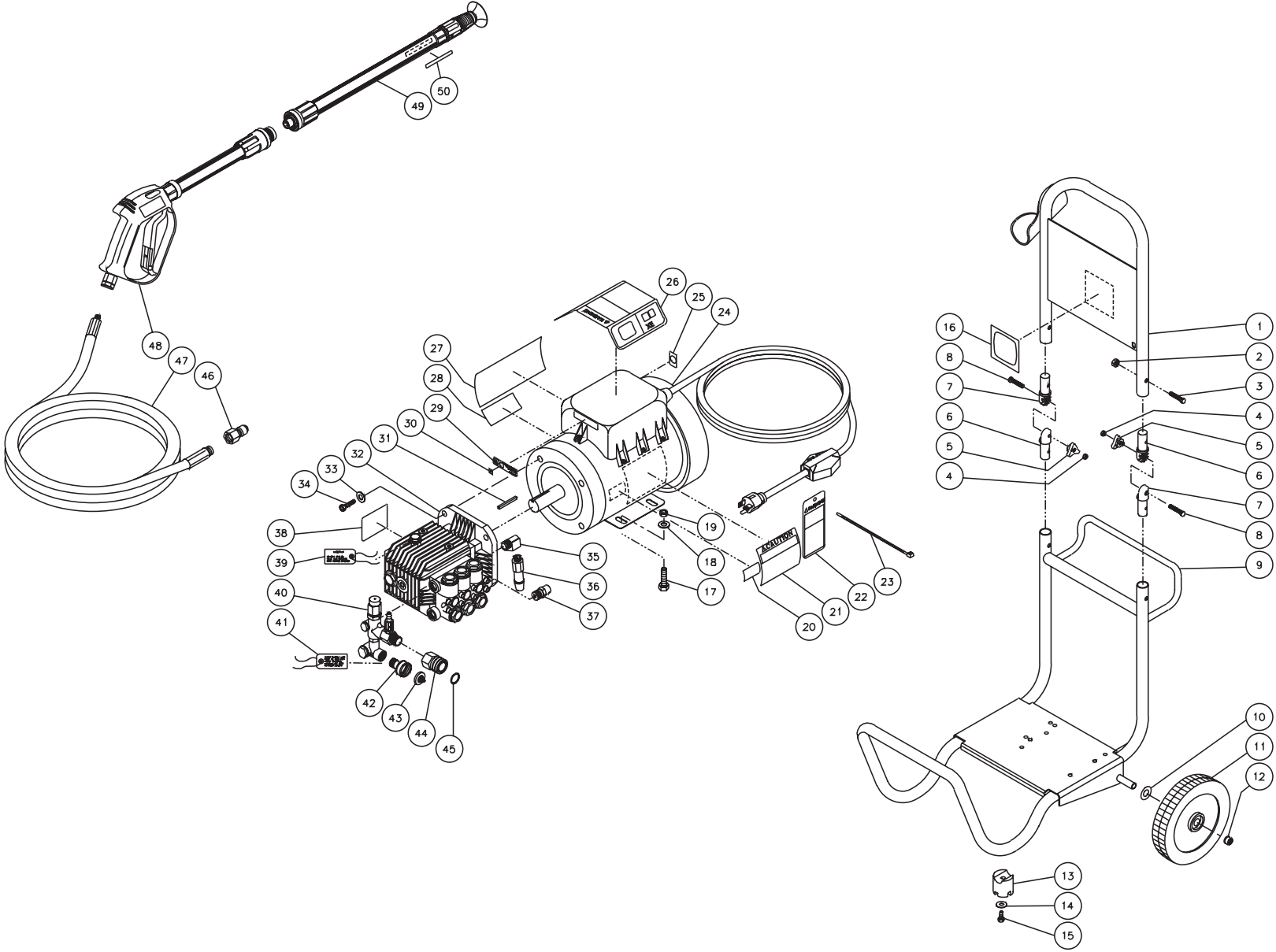
10XE-C (USA) (AFTER SERIAL #10146810) & 15XE-C (USA) (AFTER SERIAL #10040579)



CD-1002_1502-1JUC-012605-JJF

10XE-C (USA) (AFTER SERIAL #10146810) & 15XE-C (USA) (AFTER SERIAL #10240197)							
REF. #	DESCRIPTION	PART #	QTY.	REF. #	DESCRIPTION	PART #	QTY.
1	Unloader	8-0470	1	26	Carriage Bolt	31-0051	2
2	Garden Hose Fitting	23-0096	1	27	Handle Assembly	7-0158A01	1
3	Inlet Filter	19-0001	1	28	Decal- Logo	34-1025	1
4	Quick Connect Socket	17-0004	1	29	Motor Assembly- 1.5 HP (10XE-C)	851-0247	1
5	O-ring (Replacement Only)	25-0123	-	-	Motor Assembly- 2.0 HP (15XE-C)	851-0248	1
6	Thermal Relief Valve	22-0114	1	30	Decal- On/Off (See 34-9015)	N/A Sep.	1
7	Pop-Off Valve	22-0046	1	31	Decal- Warning: Risk of Electrocutation (See 34-9015)	N/A Sep.	1
8	Elbow	23-0014	1	32	Decal- 10XE Logo	34-0608	2
9	Bolt	27-0066	4	-	Decal- 15XE Logo	34-0609	2
10	Washer	28-0003	4	33	Decal- Warning: Risk of Injection/Explosion (See 34-9015)	N/A Sep.	1
11	Locknut	30-0157	4	34	Decal- Date Plate	N/A	1
12	Decal- Caution/Important (See 34-9015)	N/A Sep.	1	35	Decal- Adjustable Nozzle (See 34-9015)	N/A Sep.	1
13	Hang Tag- Warning: Risk of Electrocutation (E/F/S)	34-1035	1	36	Lance w/Variable Nozzle 1.40mm (10XE-C)	16-0413	1
14	Cable Tie	33-0022	1	-	Lance w/Variable Nozzle 1.25mm (15XE-C)	16-0412	1
15	Isolator	14-0066	2	37	Gun w/Lance (10XE)	16-0404	1
16	Washer	28-0021	2	38	Quick Connect Plug	17-0006	1
17	Bolt	27-0019	2	39	High Pressure Hose	15-0138	1
18	Locknut	30-0155	2	40	Key	43-0072	1
19	Axle Spacer	20-0406A01	2	41	Pump	3-0071	1
20	Washer	28-0006	5	42	Lockwasher	29-0115	4
21	Wheel	14-0056	2	43	Bolt	27-0117	4
22	Hub Cap	33-0055	2	44	Decal- Important Pump Instructions (See 34-9015)	N/A Sep.	1
23	Axle	20-0517	1	45	Tag- Remove Red Plug	34-0102	1
24	Frame Assembly	5-0148A01	1		Safety Decal Kit (Inc. 12, 30-31, 33, 35, 44)	34-9015	
25	Knob	7-0107	2		*Must Order in One Foot Lengths		

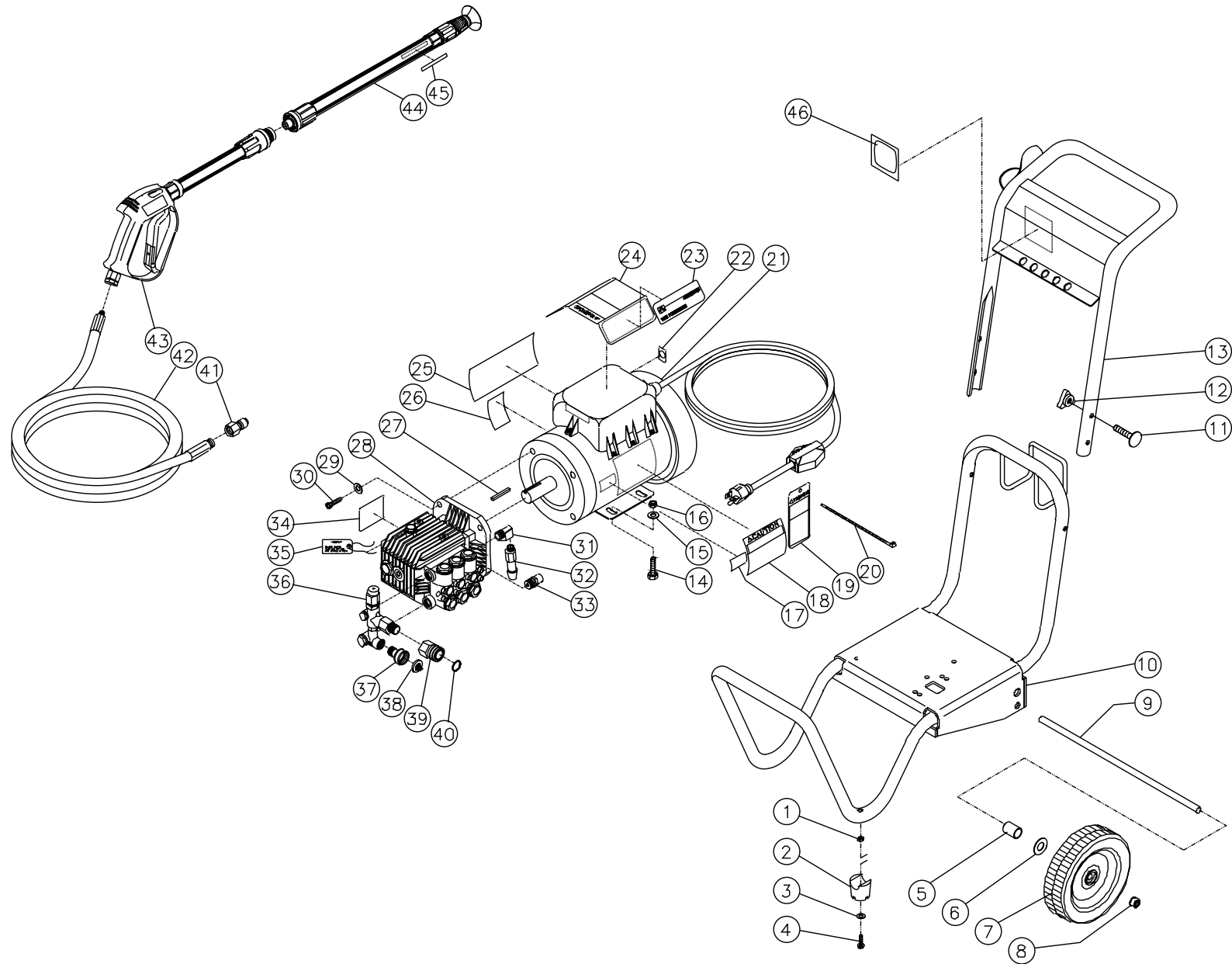
10XE-C (CANADA) (BEFORE SERIAL #10041371)



CD-1002-1JCC-120199-RD

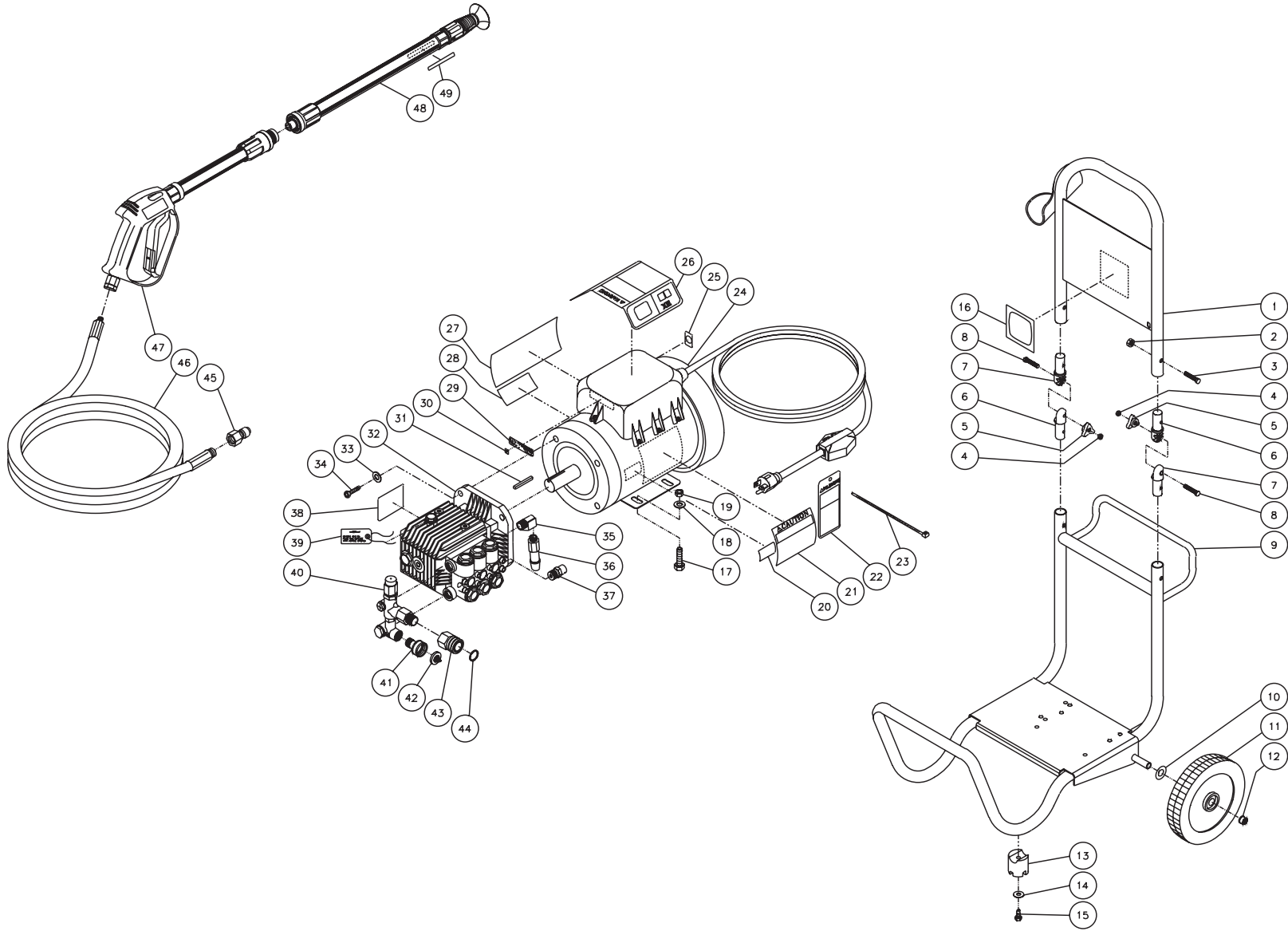
10XE-C (CANADA) (BEFORE SERIAL #10041371)							
REF. #	DESCRIPTION	PART #	QTY.	REF. #	DESCRIPTION	PART #	QTY.
1	Handle	7-0132A33	1	26	Decal- Warning: Risk of Electrocution (E/F)	34-0634	1
2	Nylock Nut	30-0154	4	27	Decal- Warning: Risk of Injection/Explosion (E/F)	34-0631	1
3	Bolt	27-0008	4	28	Decal- Serial Number	N/A	1
4	Nylock Nut	30-0155	2	29	Decal- C-U/L Specs	N/A	1
5	Knob	7-0115	2	30	Decal- Date Code	N/A	1
6	Adjustable Knuckle w/o Hex	33-0242	2	31	Key	43-0072	1
7	Adjustable Knuckle w/ Hex	33-0241	2	32	Pump	3-0071	1
8	Bolt	27-0020	2	33	Washer	29-0155	4
9	Frame	5-0118A33	1	34	Bolt	27-0117	4
10	Washer	28-0006	2	35	Elbow	23-0014	1
11	Wheel	14-0056	2	36	Relief Valve	22-0046	1
12	Hub Cap	33-0055	2	37	Heat Dump Valve	22-0114	1
13	Isolator	14-0063	2	38	Decal- Important Pump Instructions (E/F)	34-0470	1
14	Washer	28-0021	2	39	Tag- Remove Red Plug	34-0102	1
15	Screw	27-3096	2	40	Unloader	8-0470	1
16	Decal- John Deere Logo	34-0131	1	41	Tag- Water Supply Inlet	34-0097	1
17	Bolt	27-0066	4	42	Garden Hose Fitting	23-0096	1
18	Washer	28-0003	4	43	Inlet Filter	19-0001	1
19	Locknut	30-0157	8	44	Quick Connect Socket	17-0004	1
20	Decal- Warning: Backflow (E/F)	34-0469	1	45	O-ring (Replacement)	25-0123	-
21	Decal- Caution/Important (E/F)	34-0632	1	46	Quick Connect Plug	17-0006	1
22	Hang Tag- Warning: Risk of Electrocution (E/F)	34-0628	1	47	High Pressure Hose	15-0138	1
23	Cable Tie	33-0022	1	48	Gun w/ Screw Lance	16-0167	1
24	Motor Assembly- 1.5 H.P. (C-U/L)	851-0250	1	49	Variable Nozzle Assembly- 1.40mm	16-0173	1
25	Decal- On/Off	34-0612	1	50	Decal- Adjustable Nozzle (E/F)	34-0457	1

10XE-C (CANADA) (AFTER SERIAL #10041371)



10XE-C (CANADA) (AFTER SERIAL #10041371)							
REF. #	DESCRIPTION	PART #	QTY.	REF. #	DESCRIPTION	PART #	QTY.
1	Locknut	30-0155	2	25	Decal- Warning: Risk of Injection / Explosion (See 34-9015)	N/A Sep.	1
2	Isolator	14-0066	2	26	Decal- Data Plate	N/A	1
3	Washer	28-0021	2	27	Key	43-0072	1
4	Bolt	27-0019	2	28	Pump	3-0071	1
5	Axle Spacer	20-0406A01	2	29	Washer	29-0155	4
6	Washer	28-0006	5	30	Bolt	27-0117	4
7	Wheel	14-0052	2	31	Elbow	23-0014	1
8	Hub Cap	33-0055	2	32	Pop-Off	22-0046	1
9	Axle	20-0517	1	33	Heat Dump Valve	22-0114	1
10	Frame Assembly	5-0148A01	1	34	Decal- Important Instructions (See 34-9015)	N/A Sep.	1
11	Bolt	31-0051	2	35	Tag- Remove Red Plug	34-0102	1
12	Knob	7-0107	2	36	Unloader	8-0470	1
13	Handle Assembly	7-0158A01	1	37	Garden Hose Swivel	23-0096	1
14	Bolt	27-0066	4	38	Inlet Filter	19-0001	1
15	Washer	28-0003	4	39	Quick Connect Socket	17-0004	1
16	Locknut	30-0157	8	40	O-ring (Replacement Only)	25-0123	1
17	Decal- Warning: Back Flow (See 34-9015)	N/A Sep.	1	41	Quick Connect Plug	17-0006	1
18	Decal- Caution / Important (See 34-9015)	N/A Sep.	1	42	High Pressure Hose	15-0138	1
19	Hang Tag- Warning: Risk of Electrocution	34-1035	1	43	Gun w/ Lance	16-0167	1
20	Cable Tie	33-0022	1	44	Variable Nozzle Assembly	16-0173	1
21	Motor Assembly	851-0250	1	45	Decal- Adjustable Nozzle (See 34-9015)	N/A Sep.	1
22	Decal- On / Off (See 34-9015)	N/A Sep.	1	46	Decal- John Deere Logo	34-1025	1
23	Decal- 10XE	34-0612	2		Safety Decal Kit (Inc. 17-18, 22, 24-25, 34, 45)	34-9015	
24	Decal- Warning: Risk of Electrocution (See 34-9015)	N/A Sep.	1				

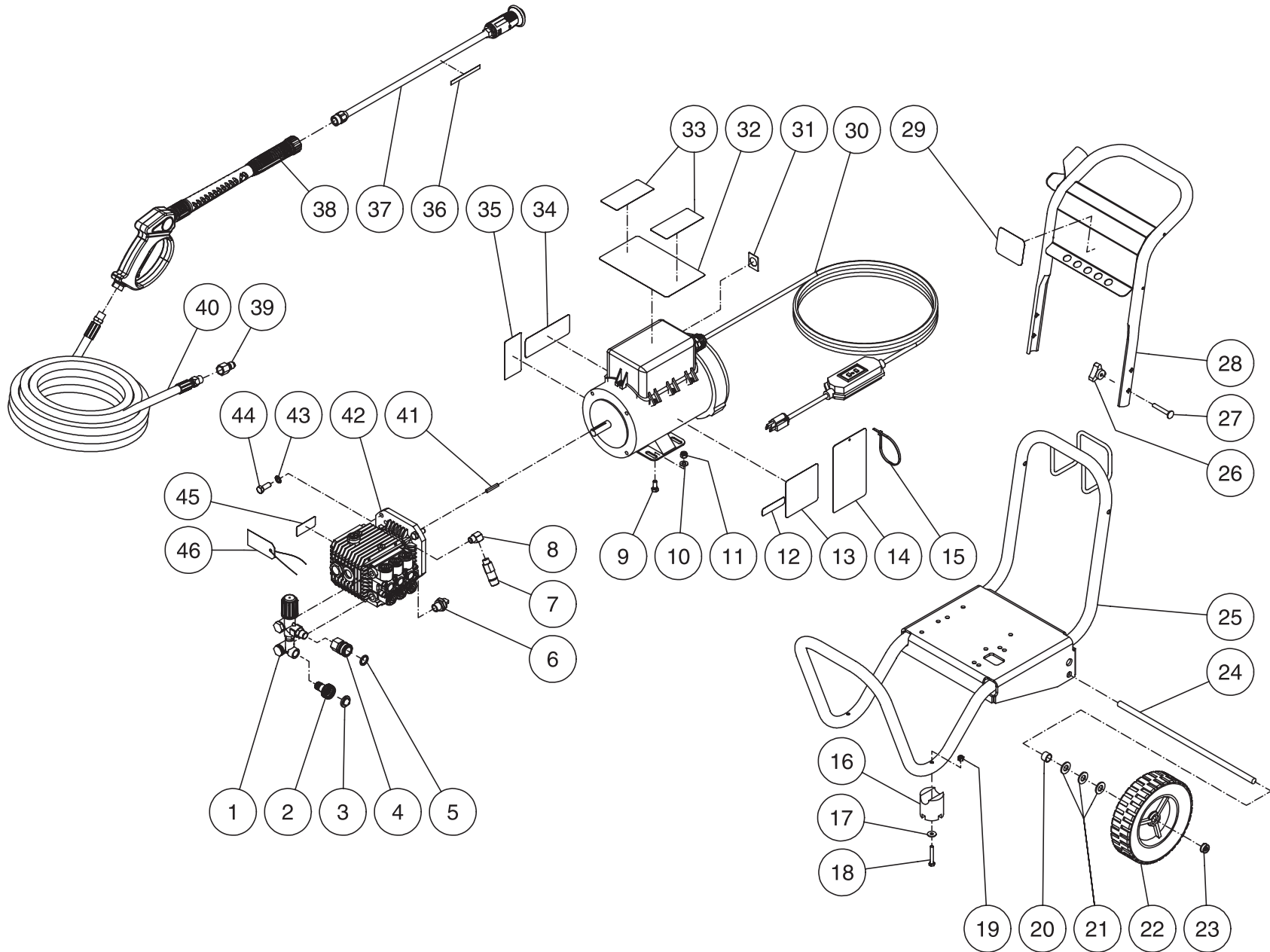
15XE-C (CANADA) (BEFORE SERIAL #10041371)



CD-1502-1JCC-120199-RD

15XE-C (CANADA) (BEFORE SERIAL #10041371)							
REF. #	DESCRIPTION	PART #	QTY.	REF. #	DESCRIPTION	PART #	QTY.
1	Handle	7-0132A33	1	26	Decal- Warning: Risk of Electrocution (E/F)	34-0635	1
2	Nylock Nut	30-0154	4	27	Decal- Warning: Risk of Injection/Explosion (E/F)	34-0631	1
3	Bolt	27-0008	4	28	Decal- Serial Number	N/A	1
4	Nylock Nut	30-0155	2	29	Decal- C-U/L Specs	N/A	1
5	Knob	7-0115	2	30	Decal- Date Code	N/A	1
6	Adjustable Knuckle w/o Hex	33-0242	2	31	Key	43-0072	1
7	Adjustable Knuckle w/ Hex	33-0241	2	32	Pump	3-0071	1
8	Bolt	27-0020	2	33	Washer	29-0155	4
9	Frame	5-0118A33	1	34	Bolt	27-0117	4
10	Washer	28-0006	2	35	Elbow	23-0014	1
11	Wheel	14-0056	2	36	Relief Valve	22-0046	1
12	Hub Cap	33-0055	2	37	Heat Dump Valve	22-0114	1
13	Isolator	14-0063	2	38	Decal- Important Pump Instructions (E/F)	34-0470	1
14	Washer	28-0021	2	39	Tag- Remove Red Plug	34-0102	1
15	Screw	27-3096	2	40	Unloader	8-0470	1
16	Decal- John Deere Logo	34-0131	1	41	Garden Hose Fitting	23-0096	1
17	Bolt	27-0066	4	42	Inlet Filter	19-0001	1
18	Washer	28-0003	4	43	Quick Connect Socket	17-0004	1
19	Locknut	30-0157	8	44	O-ring (Replacement)	25-0123	-
20	Decal- Warning: Backflow (E/F)	34-0469	1	45	Quick Connect Plug	17-0006	1
21	Decal- Caution/Important (E/F)	34-0632	1	46	High Pressure Hose	15-0138	1
22	Hang Tag- Warning: Risk of Electrocution (E/F)	34-0628	1	47	Gun w/ Screw Lance	16-0167	1
23	Cable Tie	33-0022	1	48	Variable Nozzle Assembly- 1.25mm	16-0171	1
24	Motor Assembly- 2.0 HP (C-U/L)	851-0251	1	49	Decal- Adjustable Nozzle (E/F)	34-0457	1
25	Decal- On/Off	34-0612	1				

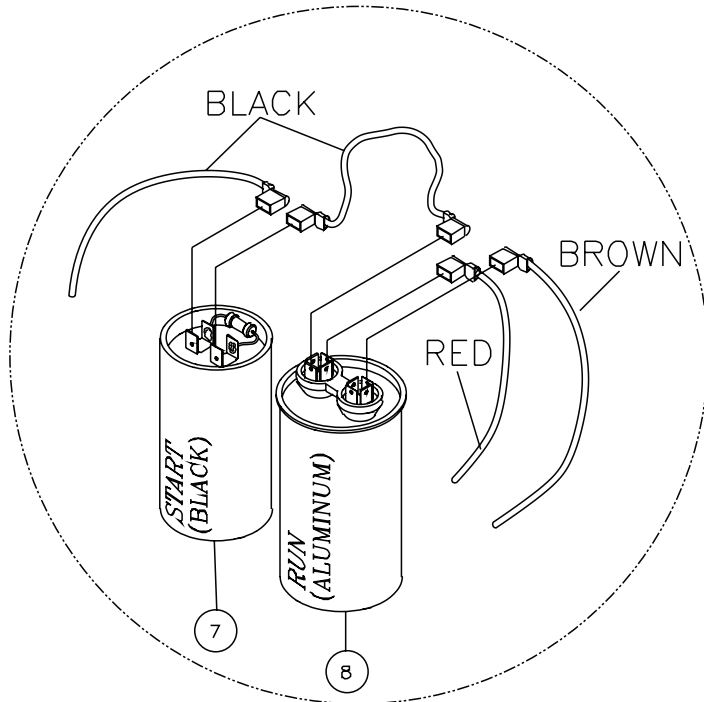
10XE-C (CANADA) (AFTER SERIAL #10146810) & 15XE-C (CANADA) (AFTER SERIAL #10041371)



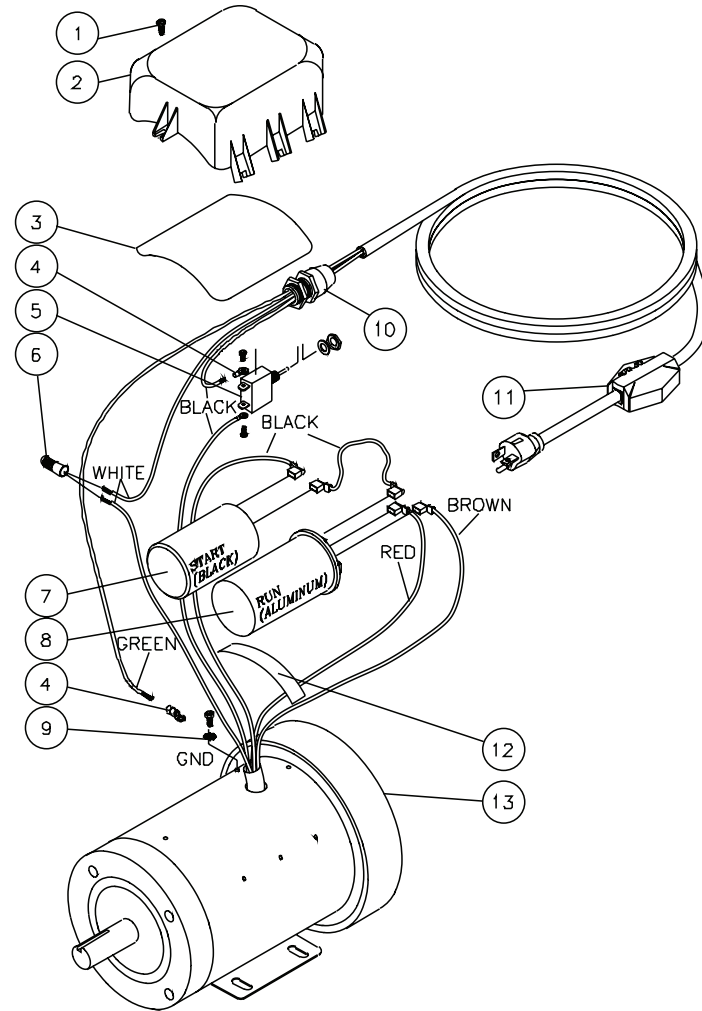
CD-1002_1502-1JCC-012605-JJF

10XE-C (CANADA) (AFTER SERIAL #10146810) & 15XE-C (CANADA) (AFTER SERIAL #10240197)							
REF. #	DESCRIPTION	PART #	QTY.	REF. #	DESCRIPTION	PART #	QTY.
1	Unloader	8-0470	1	26	Knob	7-0107	2
2	Garden Hose Fitting	23-0096	1	27	Carriage Bolt	31-0051	2
3	Inlet Filter	19-0001	1	28	Handle Assembly	7-0158A01	1
4	Quick Connect Socket	17-0004	1	29	Decal- Logo	34-1025	1
5	O-ring (Replacement Only)	25-0123	-	30	Motor Assembly- 1.5 HP (10XE-C)	851-0250	1
6	Thermal Relief Valve	22-0114	1	-	Motor Assembly- 2.0 HP (15XE-C)	851-0251	1
7	Pop-Off Valve	22-0046	1	31	Decal- On/Off (See 34-9015)	N/A Sep.	1
8	Elbow	23-0014	1	32	Decal- Warning: Risk of Electrocutation (See 34-9015)	N/A Sep.	1
9	Bolt	27-0066	4	33	Decal- 10XE Logo	34-0608	2
10	Washer	28-0003	4	-	Decal- 15XE Logo	34-0609	2
11	Locknut	30-0157	4	34	Decal- Warning: Risk of Injection/Explosion (See 34-9015)	N/A Sep.	1
12	Decal- Warning: Backflow (See 34-9015)	N/A Sep.	1	35	Decal- Date Plate	N/A	1
13	Decal- Caution/Important (See 34-9015)	N/A Sep.	1	36	Decal- Adjustable Nozzle (See 34-9015)	N/A Sep.	1
14	Hang Tag- Warning: Risk of Electrocutation (E/F/S)	34-1035	1	37	Lance w/Variable Nozzle 1.40mm (10XE-C)	16-0413	1
15	Cable Tie	33-0022	1	-	Lance w/Variable Nozzle 1.25mm (15XE-C)	16-0412	1
16	Isolator	14-0066	2	38	Gun w/Lance	16-0404	1
17	Washer	28-0021	2	39	Quick Connect Plug	17-0006	1
18	Bolt	27-0019	2	40	High Pressure Hose	15-0138	1
19	Locknut	30-0155	2	41	Key	43-0072	1
20	Axle Spacer	20-0406A01	2	42	Pump	3-0071	1
21	Washer	28-0006	5	43	Lockwasher	29-0115	4
22	Wheel	14-0056	2	44	Bolt	27-0117	4
23	Hub Cap	33-0055	2	45	Decal- Important Pump Instructions (See 34-9015)	N/A Sep.	1
24	Axle	20-0517	1	46	Tag- Remove Red Plug	34-0102	1
25	Frame Assembly	5-0148A01	1		Safety Decal Kit (Inc. 12-13, 31-32, 34, 36, 45s)	34-9015	
*Must Order in One Foot Lengths							

MOTOR ASSEMBLY (851-0247 & 851-0248)

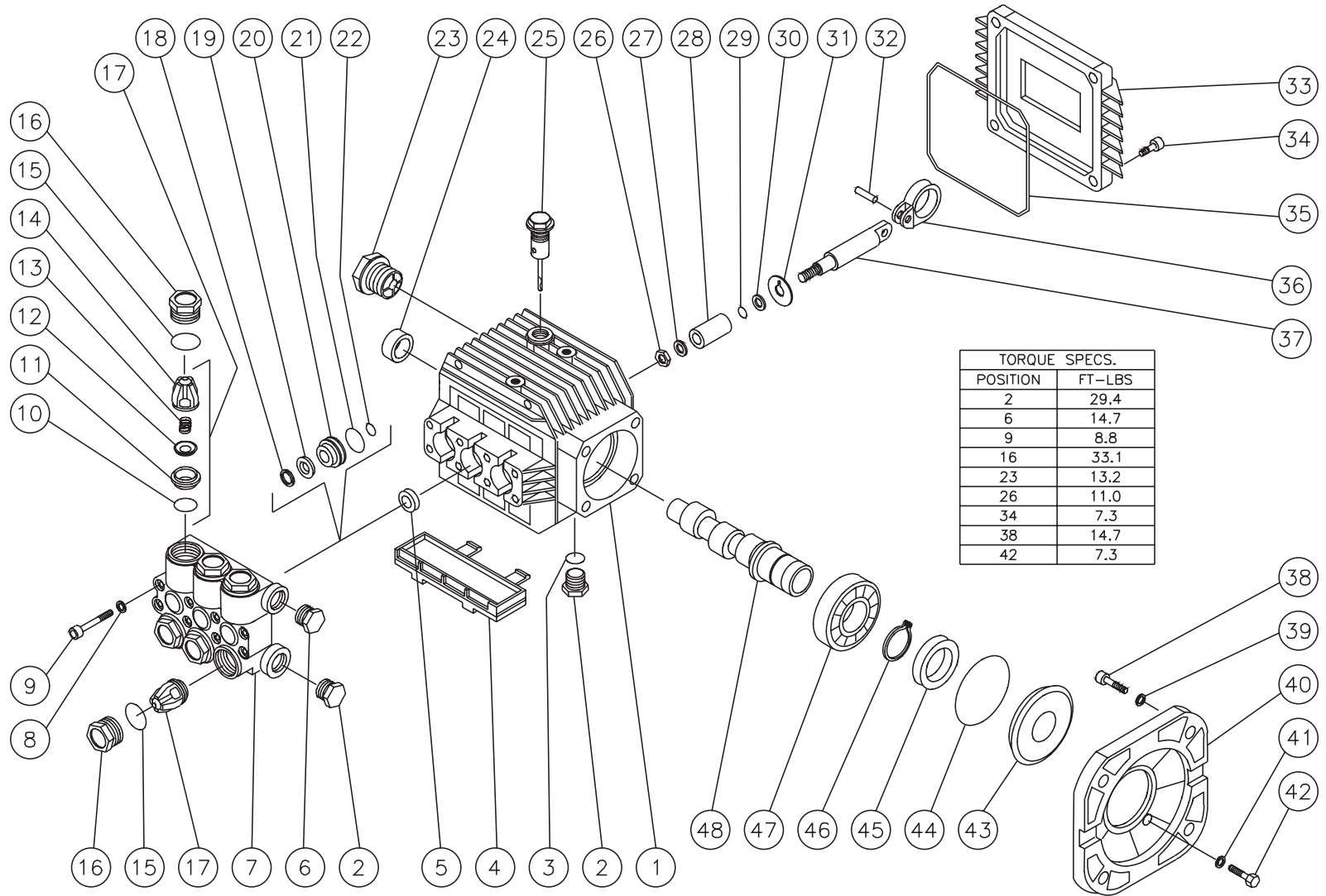


CAPACITOR TERMINAL ASSEMBLY



MOTOR ASSEMBLY (851-0247 & 851-0248)			
REF. #	DESCRIPTION	PART #	QTY.
1	Hex Screw	27-8389	8
2	Motor Box	52-0041	1
3	O-ring	25-0338	1
4	Terminal	32-0099	2
5	Switch for 851-0247 (15 Amp)	32-0408	1
-	Switch for 851-0248 (20 Amp)	32-0348	1
6	Crimp Splice	32-0359	1
7	Starting Capacitor for 851-0247	32-0411	1
-	Starting Capacitor for 851-0248	32-0412	1
8	Running Capacitor	32-0413	1
9	Lockwasher	28-1009	1
10	Strain Relief	32-0407	1
11	GFCI Cord for 851-0247 (15 Amp)	32-0268	1
-	GFCI Cord for 851-0248 (20 Amp)	32-0215	1
12	Motor Box Strap	52-0042	1
13	Motor- 1.5 H.P. (See 851-0247)	N/A Sep.	1
-	Motor- 2.0 H.P. (See 851-0248)	N/A Sep.	1
	Complete Motor Assembly (Inc. 1-13)	851-0247	
	Complete Motor Assembly (Inc. 1-13)	851-0248	

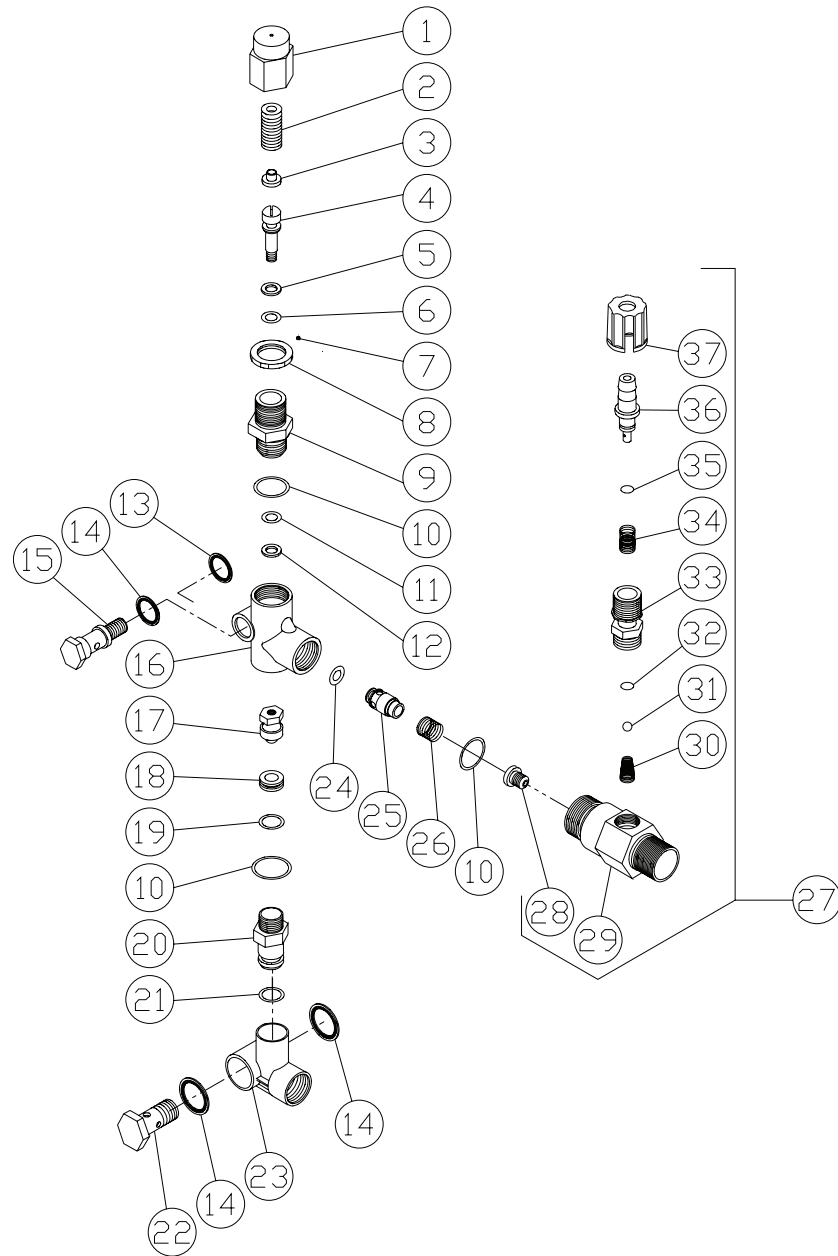
PUMP ASSEMBLY (3-0071)



3-0071-060104-KZ

PUMP ASSEMBLY (3-0071)							
REF. #	DESCRIPTION	PART #	QTY.	REF. #	DESCRIPTION	PART #	QTY.
1	Crankcase	46-0221	1	27	Washer	46-0166	3
2	Plug	39-0018	2	28	Plunger- Ceramic	46-0148	3
3	O-ring	25-0052	1	29	O-ring	25-0045	3
4	Drip Pan	46-0229	1	30	Back-up Ring	25-0143	3
5	Oil Seal	26-0111	3	31	Washer	46-0167	3
6	Plug	39-0017	1	32	Conecting Rod	43-0044	3
7	Manifold- Brass	46-0163	1	33	Crankcase Cover	46-0151	1
8	Lockwasher	29-0153	12	34	Bolt	27-8409	4
9	Bolt	27-8406	8	35	Cover O-ring	25-0332	1
10	O-ring (See 70-0009)	N/A Sep.	6	36	Connecting Rod	46-0152	3
11	Valve Seat (See 70-0009)	N/A Sep.	6	37	Piston Guide	46-0149	3
12	Valve Plate (See 70-0009)	N/A Sep.	6	38	Bolt	27-0117	4
13	Valve Spring (See 70-0009)	N/A Sep.	6	39	Lockwasher	29-0155	4
14	Valve Cage (See 70-0009)	N/A Sep.	6	40	Flange	38-0032	1
15	O-ring	25-0012	6	41	Lockwasher	29-0153	4
16	Valve Plug	39-0035	6	42	Bolt	27-8409	4
17	Valve Assembly (Includes 10-14) (See 70-0009)	N/A Sep.	6	43	Bearing Spacer	46-0087	1
18	Head Ring (See 70-0024)	N/A Sep.	3	44	O-ring	25-0060	1
19	V-packing (See 70-0024)	N/A Sep.	3	45	Oil Seal	26-0126	1
20	V-packing Retainer	46-0158	3	46	Snap Ring	46-0245	1
21	O-ring	25-0141	3	47	Ball Bearing	48-0024	1
22	O-ring	25-0128	3	48	Crankshaft	46-0277	1
23	Oil Level Indicator	46-0114	1		Valve Kit (Includes 3 each 10-14, 17)	70-0009	
24	Bearing	48-0019	1		V-packing Kit (Includes 3 each 18-19, 21-22)	70-0024	
25	Oil Dip Stick	46-0143	1		V-packing Assembly (Includes 18-22)	70-0023	
26	Nut	46-0168	3				

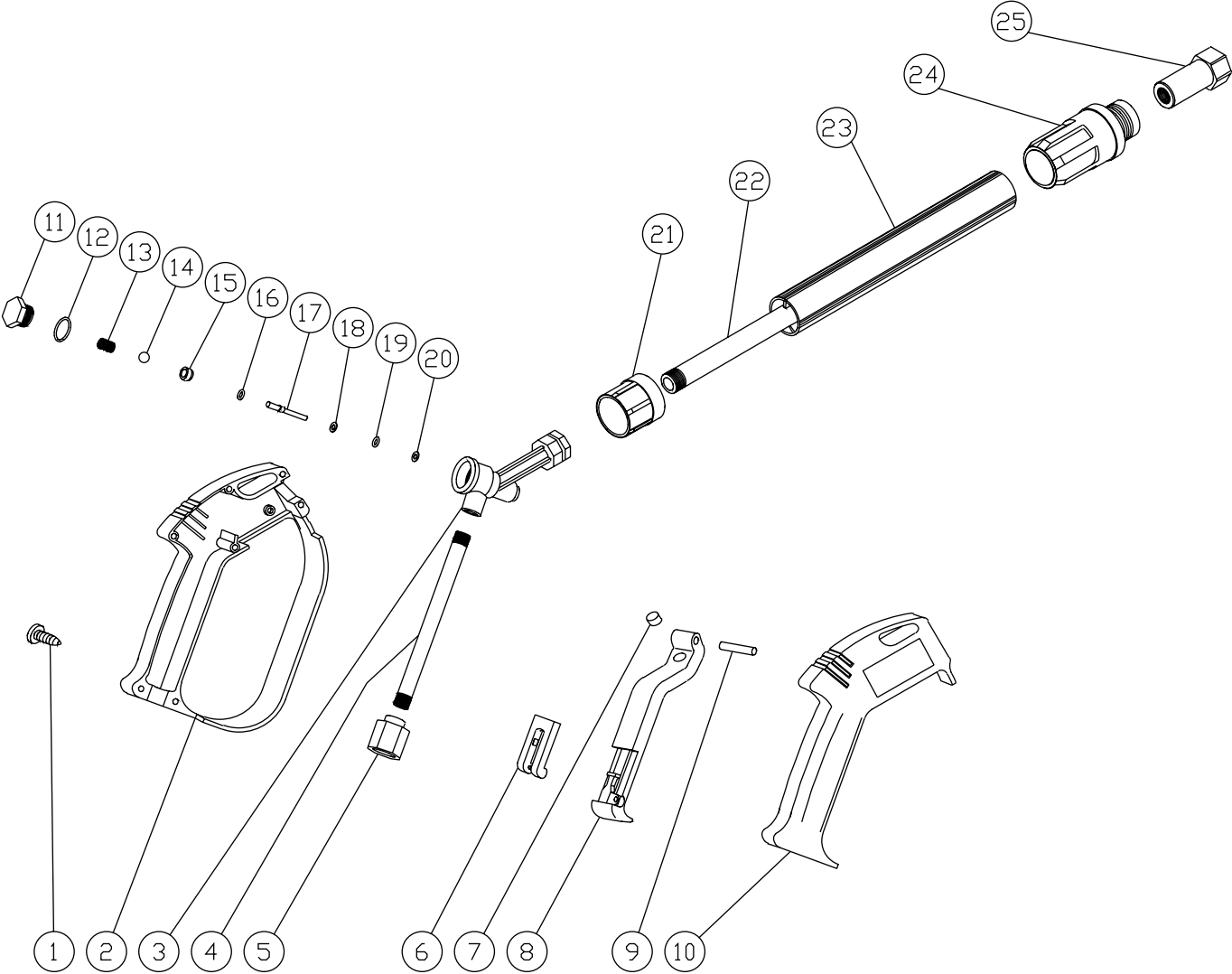
UNLOADER (8-0493) & DETERGENT INJECTOR (46-0752) ASSEMBLY



8-0493-102600-RD

UNLOADER (8-0493) & DETERGENT INJECTOR (46-0752) ASSEMBLY								
REF. #	DESCRIPTION	PART #	QTY.		REF. #	DESCRIPTION	PART #	QTY.
1	Adjusting Cap	39-0092	1		21	O-ring	25-0376	1
2	Spring	49-0120	1		22	Connector	23-0285	1
3	Spring Retainer	8-0421	1		23	Bypass Fitting	N/A	1
4	Piston Stem	46-0324	1		24	O-ring	25-0375	1
5	Back-up Ring	25-0206	1		25	Flow Balancer	8-0426	1
6	O-ring (See 70-0168)	N/A Sep.	1		26	Spring	49-0121	1
7	Set Screw	8-0479	1		27	Detergent Injector- 1.80mm	46-0752	1
8	Locknut	46-0651	1		28	Orifice- 1.80mm	50-0146	1
9	Piston Retainer	8-0424	1		29	Injector Body	N/A	1
10	O-ring (See 70-0168)	N/A Sep.	3		30	Spring (See 852-0056)	N/A Sep.	1
11	O-ring (See 70-0168)	N/A Sep.	1		31	Ball (See 852-0056)	N/A Sep.	1
12	Back-up Ring	25-0203	1		32	O-ring (See 852-0056)	N/A Sep.	1
13	Washer	8-0433	1		33	Piston Retainer	N/A	1
14	Washer	8-0427	3		34	Spring	49-0056	1
15	Connector	23-0286	1		35	O-ring (See 852-0056)	N/A Sep.	1
16	Body	N/A	1		36	Barb	50-0157	1
17	Valve and Ball Assembly	46-0320	1		37	Adjustable Knob	50-0158	1
18	Bypass Seat	8-0430	1			Unloader Repair Kit (Inc. 4-6, 10-12, 17-19, 21)	70-0168	
19	O-ring	25-0202	1			Injector Repair Kit (Inc. 30-32, 35)	852-0056	
20	Bypass Fitting	N/A	1					

GUN ASSEMBLY (16-0167)

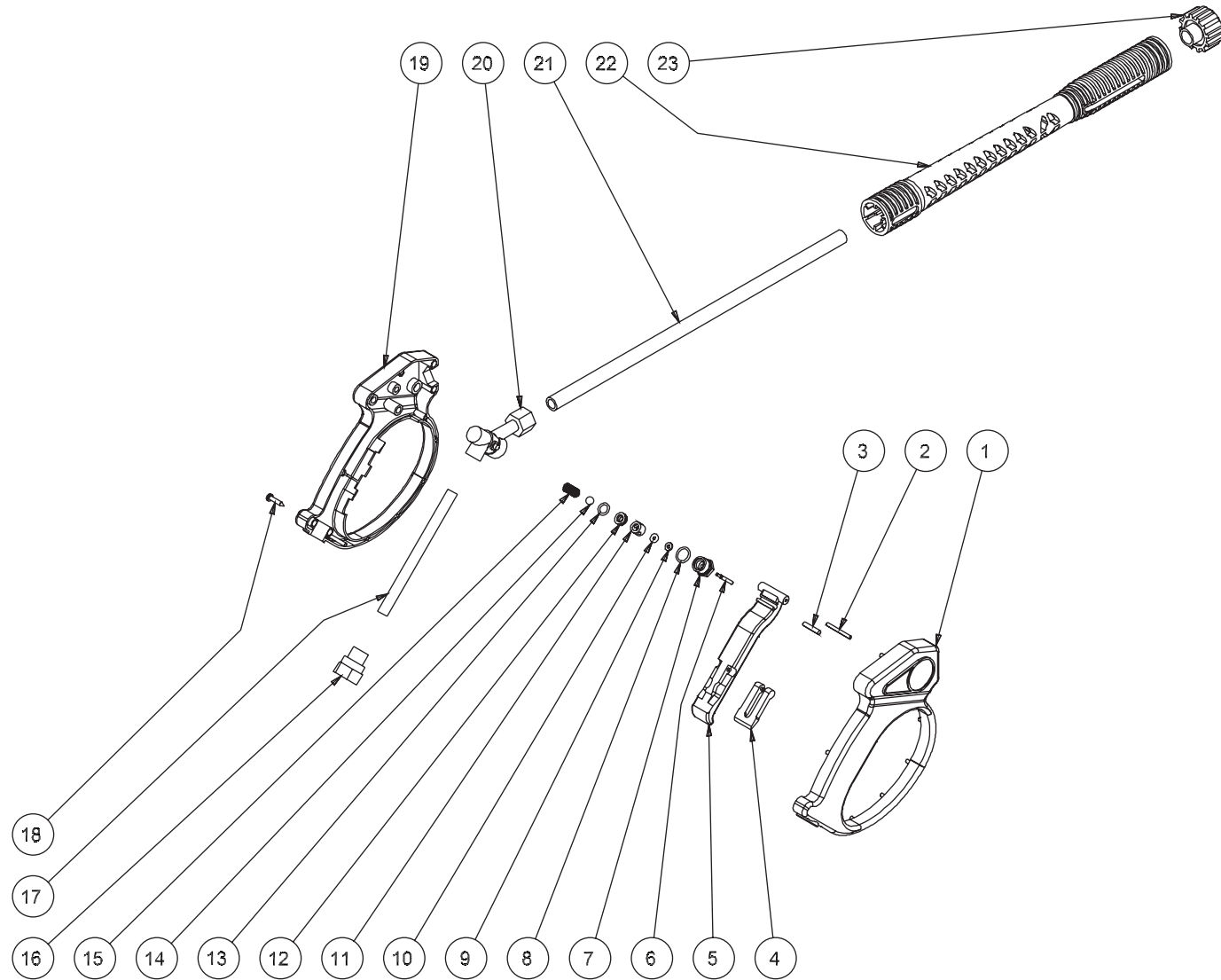


16-0167-110399-RD

GUN ASSEMBLY (16-0167)

REF. #	DESCRIPTION	PART #	QTY.	REF. #	DESCRIPTION	PART #	QTY.
1	Screw	27-8382	7	15	Seat (See 70-0057)	N/A Sep.	1
2	Plastic Housing- Left Side	16-0336	1	16	O-ring (See 70-0057)	N/A Sep.	1
3	Housing	23-0295	1	17	Pin (See 70-0057)	N/A Sep.	1
4	Pipe	21-0095	1	18	Washer (See 70-0057)	N/A Sep.	1
5	Coupler	23-0174	1	19	O-ring (See 70-0057)	N/A Sep.	1
6	Trigger Safety Lock	16-0332	1	20	Back-up Ring (See 70-0057)	N/A Sep.	1
7	Trigger Rest	16-0333	1	21	Gun/Wand Connector	16-0182	1
8	Trigger	16-0335	1	22	Pipe	21-0089	1
9	Trigger Pin	43-0069	1	23	Wand Protector	62-0063	1
10	Plastic Housing- Right Side	16-0334	1	24	Plastic Screw Connector	16-0181	1
11	Plug (See 70-0057)	N/A Sep.	1	25	Quick Connect	17-0031	1
12	O-ring (See 70-0057)	N/A Sep.	1		Gun Kit (Includes 11-20)	70-0057	
13	Spring (See 70-0057)	N/A Sep.	1		Complete Gun Assembly (Inc. 1-25)	16-0167	
14	Ball (See 70-0057)	N/A Sep.	1				

GUN/LANCE ASSEMBLY (16-0404)

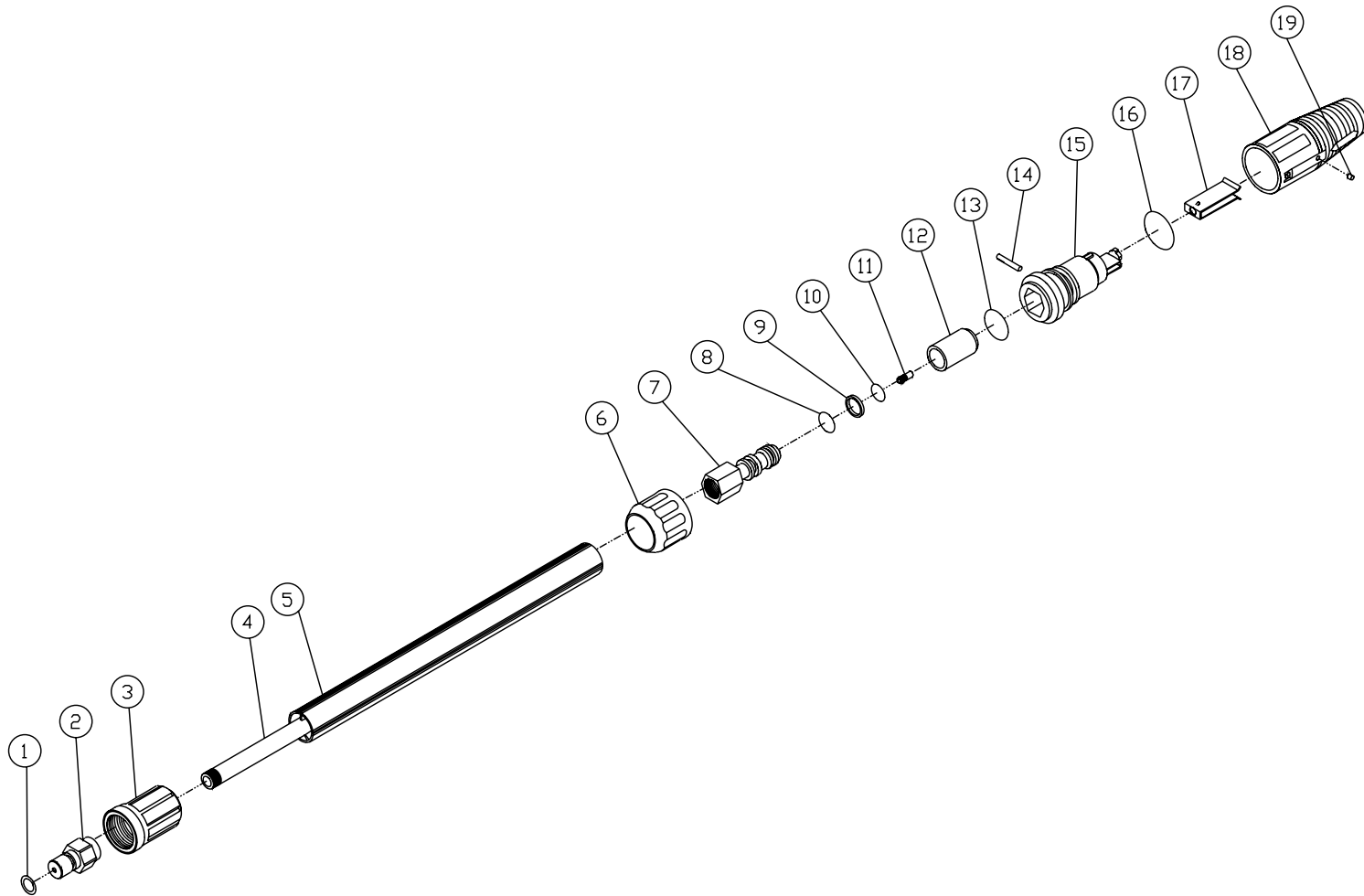


16-0404-111004-JJF

GUN/LANCE ASSEMBLY (16-0404)

REF. #	DESCRIPTION	PART #	QTY.	REF. #	DESCRIPTION	PART #	QTY.
1	Gun Body (Right Side)	16-0405	1	13	O-ring (See 70-0375)	N/A Sep.	1
2	Pin	43-0114	1	14	Ball (See 70-0375)	N/A Sep.	1
3	Pin	43-0115	1	15	Spring Ball (See 70-0375)	N/A Sep.	1
4	Trigger Lock	16-0406	1	16	Female Inlet	23-0384	1
5	Trigger	16-0407	1	17	Pipe	16-0408	1
6	Pin (See 70-0375)	N/A Sep.	1	18	Screw	27-8862	6
7	Plug	23-0434	1	19	Gun Body (Left Side)	16-0409	1
8	O-ring	N/A	1	20	Body	23-0436	1
9	Backup Ring (See 70-0375)	N/A Sep.	1	21	Pipe	16-0410	1
10	O-ring (See 70-0375)	N/A Sep.	1	22	External Body	16-0411	1
11	Plug	23-0435	1	23	Screw Connect Coupling	16-0337	1
12	Seat (See 70-0375)	N/A Sep.	1		Gun Repair Kit (Inc. 6, 7, 9, 10, 12-15)	70-0375	

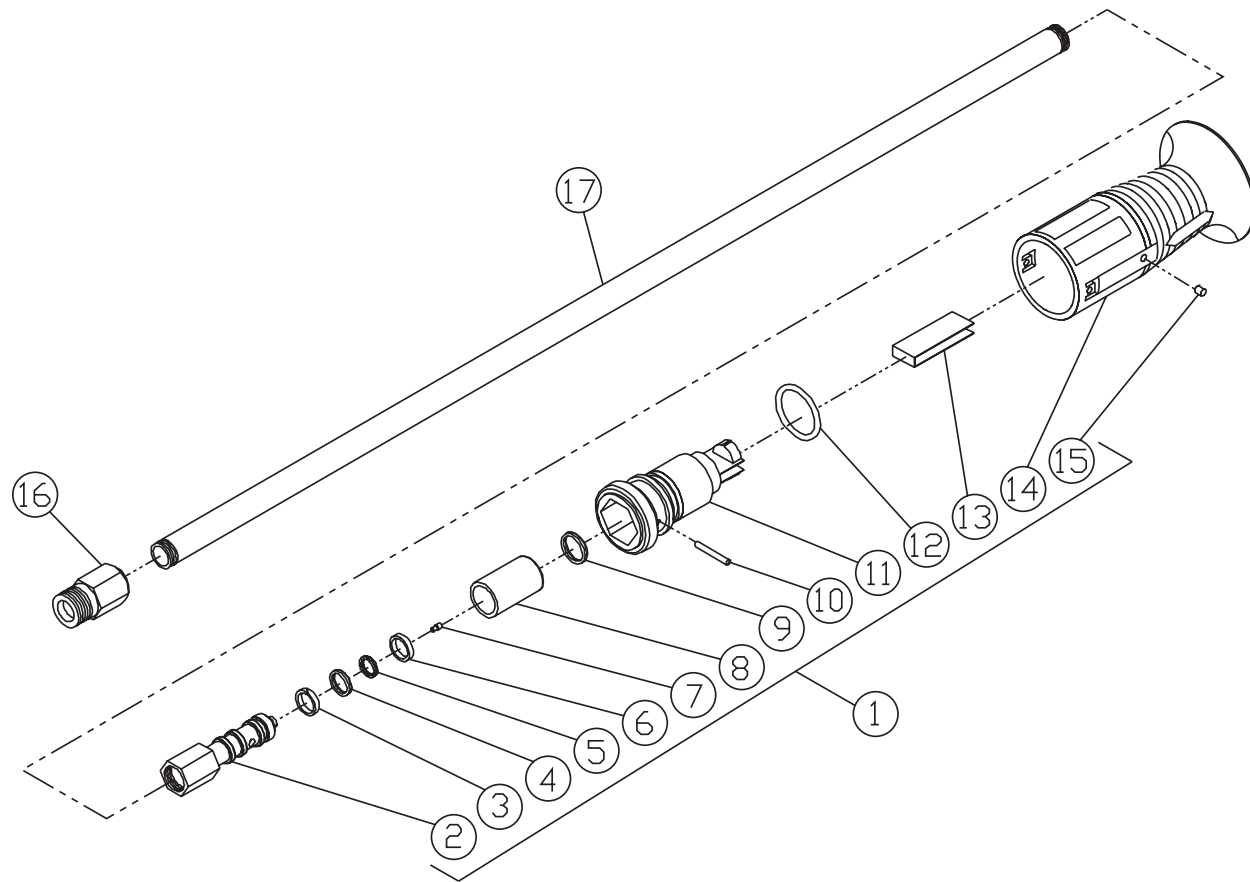
LANCE ASSEMBLY (16-0171)



16-0171-040500-RD

LANCE ASSEMBLY (16-0171)			
REF. #	DESCRIPTION	PART #	QTY.
1	O-ring	25-0259	1
2	Quick Connect	17-0032	1
3	Screw Connector	16-0183	1
4	Pipe	21-0096	1
5	Wand Protector	62-0092	1
6	Collar	16-0326	1
7	Nozzle Body	18-0300	1
8	O-ring	25-0345	1
9	Back-up Ring	25-0344	1
10	O-ring	25-0343	1
11	Nozzle- 1.25mm	18-0223	1
12	Sleeve	N/A	1
13	O-ring	25-0419	1
14	Nozzle Assembly Pin	43-0083	1
15	Housing	N/A	1
16	O-ring	25-0342	1
17	Nozzle Angle Plate	18-0283	1
18	Nozzle Protector	18-0301	1
19	Identification Pin- 1.25mm	18-0287	1

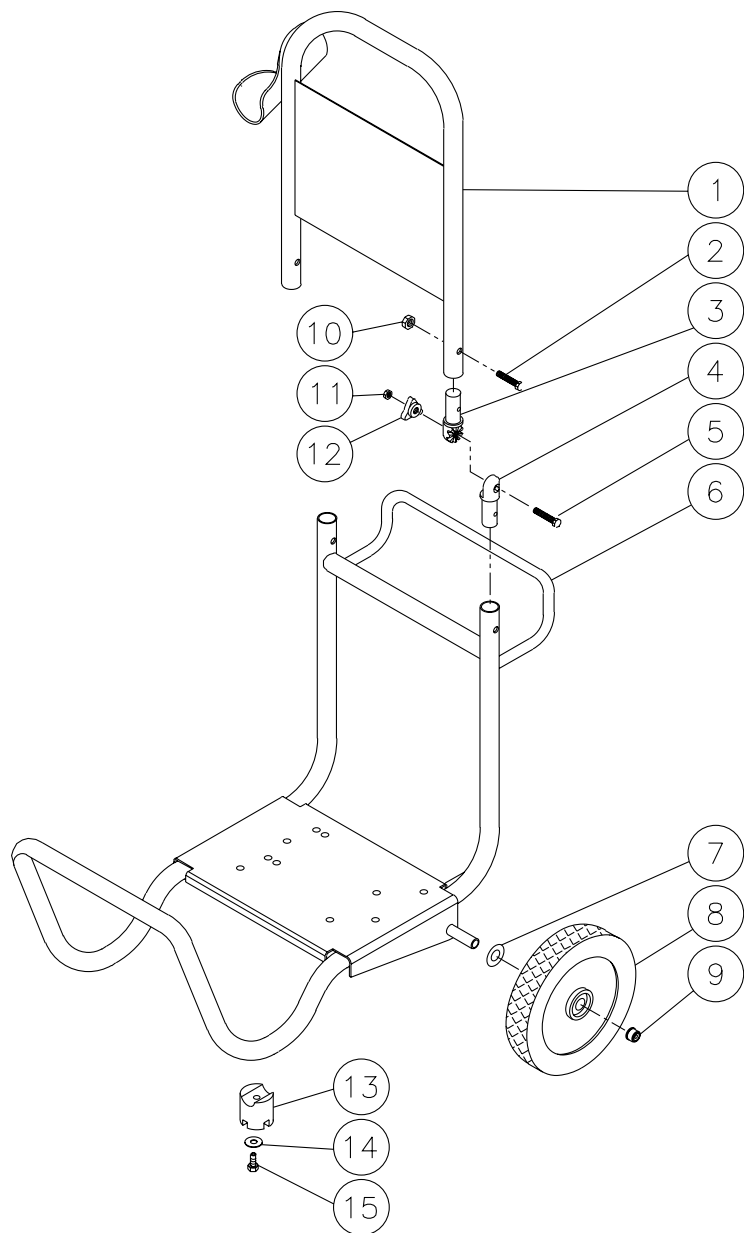
LANCE ASSEMBLY (16-0412 AND 16-0413)



LANCE ASSEMBLY (16-0412 AND 16-0413)

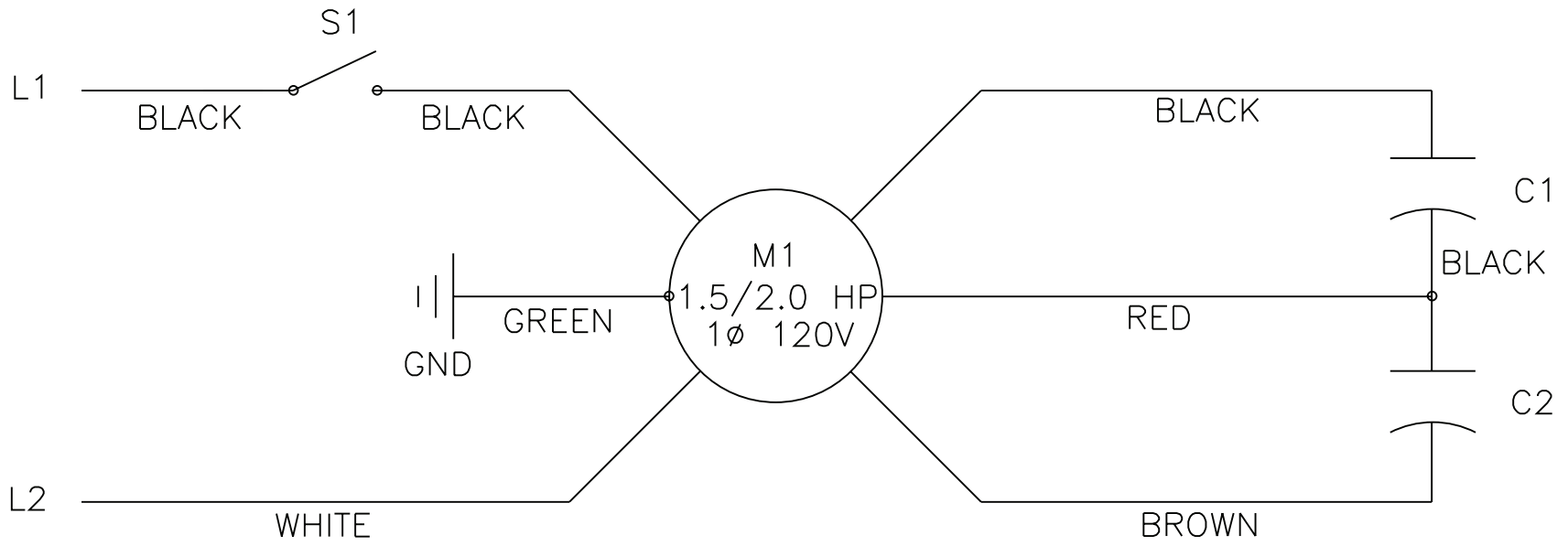
REF. #	DESCRIPTION	PART #	QTY.	REF. #	DESCRIPTION	PART #	QTY.
1	Nozzle Assembly (Inc. 2-15)	18-0274	1	11	Plastic Housing (See 18-0274)	N/A Sep.	1
2	Nozzle Body	18-0284	1	12	O-ring	25-0342	1
3	Back-up Ring	25-0346	1	13	Angle Plate	18-0283	1
4	O-ring	25-0345	1	14	Nozzle Protector	18-0353	1
5	O-ring	25-0343	1	15	I.D. Pin- 1.25mm	18-0287	1
6	Back-up Ring	25-0344	1	-	I.D. Pin- 1.40mm	18-0290	1
7	Nozzle- 1.25mm	16-0171	1	16	Coupling	16-0378	1
-	Nozzle- 1.40mm	16-0173	1	17	Pipe	16-0379	1
8	Sleeve (See 18-0274)	N/A Sep.	1		Repair Kit (Inc. 4-6, 13)	70-0303	
9	O-ring	25-0419	1		Complete Lance Assembly - 1.25mm (Inc. 1-17)	16-0412	
10	Pin	43-0083	1		Complete Lance Assembly - 1.40mm (Inc. 1-17)	16-0413	

OPTIONAL CART ASSEMBLY (AW-7005-02WK)



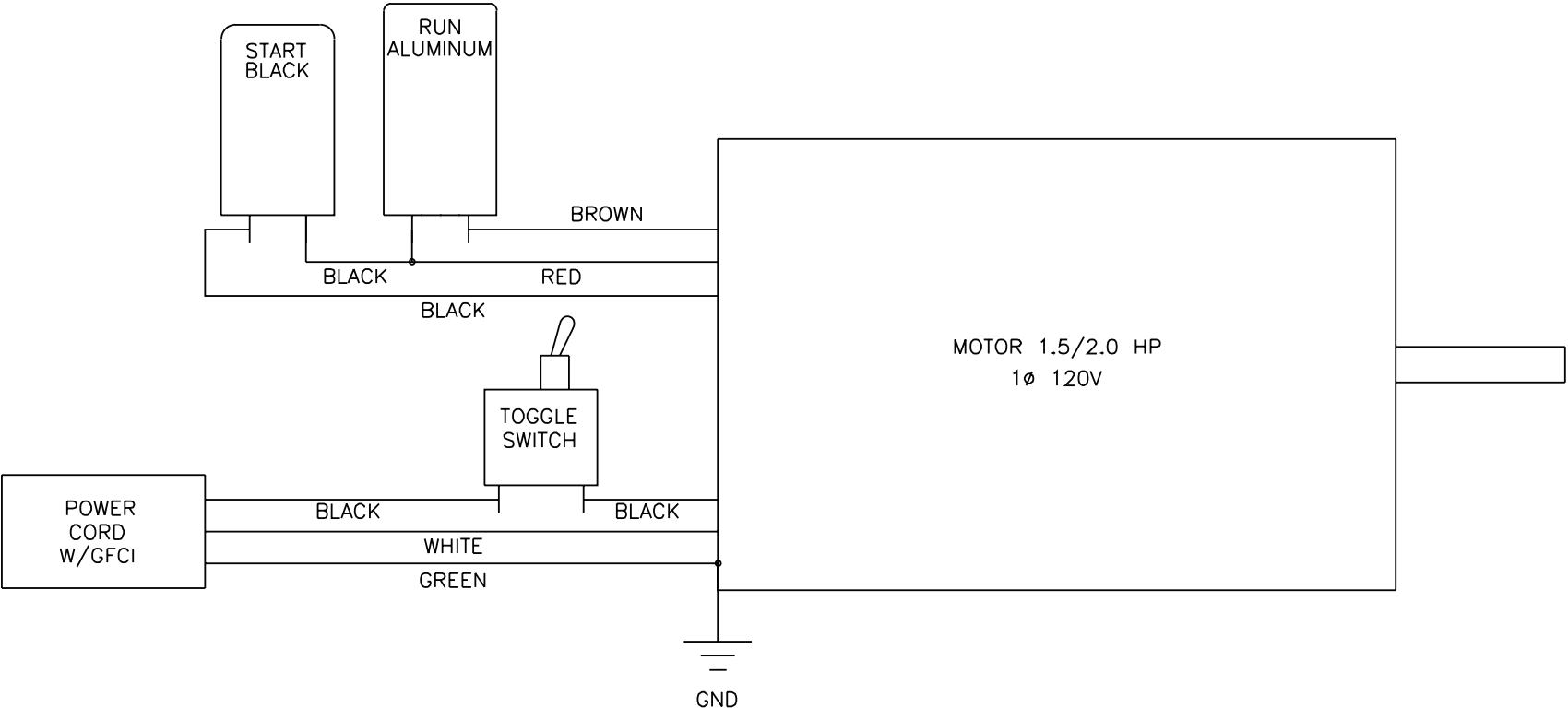
OPTIONAL CART ASSEMBLY (AW-7005-02WK)			
REF. #	DESCRIPTION	PART #	QTY.
1	Handle	7-0132	1
2	Drive Screw	43-0048	8
3	Adjustable Upper Joint	33-0242	2
4	Adjustable Lower Joint	33-0241	2
5	Bolt	27-0020	2
6	Frame	5-0118	2
7	Washer	28-0006	2
8	Wheel	14-0052	2
9	Hub Cap	33-0055	2
10	Locknut	30-0154	2
11	Locknut	30-0155	2
12	Knob	7-0115	2
13	Isolator	14-0063	2
14	Washer	28-0021	2
15	Screw	27-3096	2

WIRING SCHEMATIC



OMCWU189S -061295-DCE

WIRING DIAGRAM



OMCWU189D-061295-DCE

